



# Automatic 80

# Automatic SD

I II III english

16 382 01

**duomatic 80**

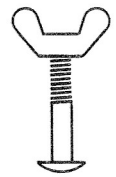
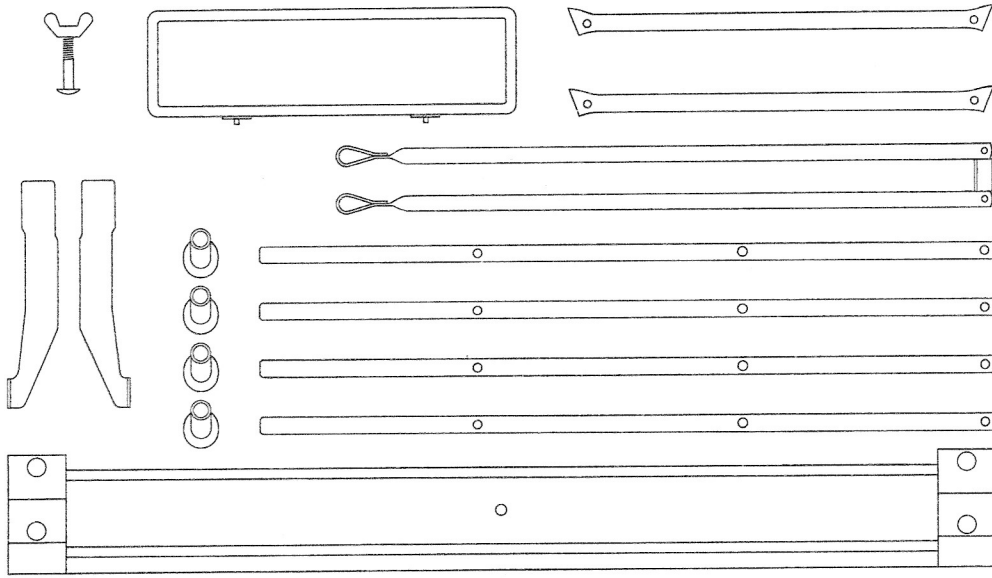
**duomatic SD**

**I**

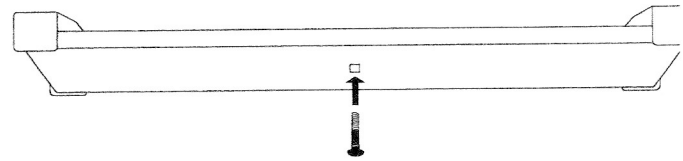
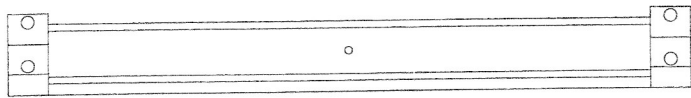
**II**

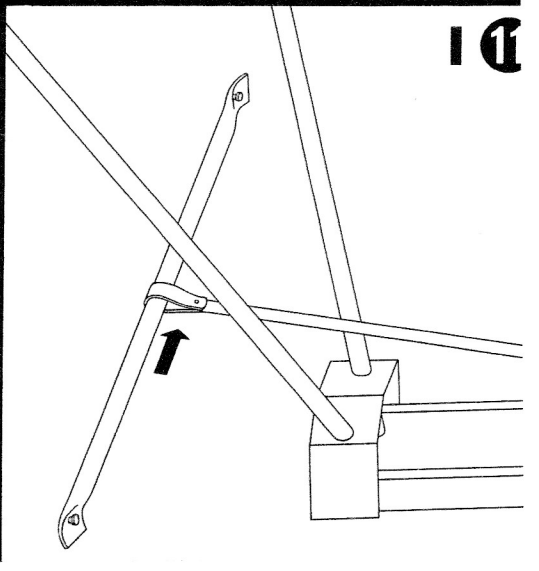
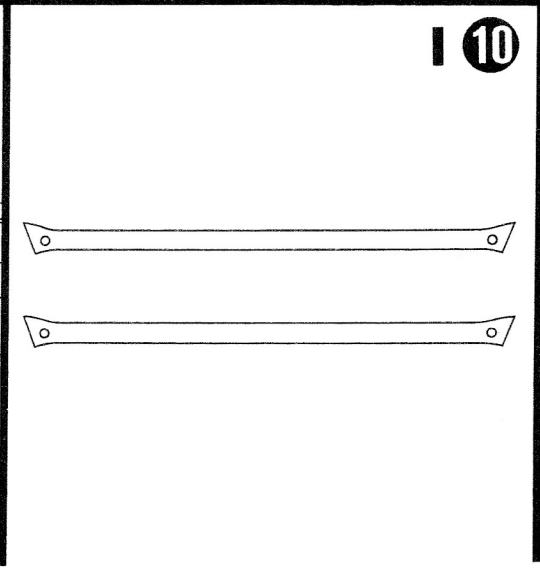
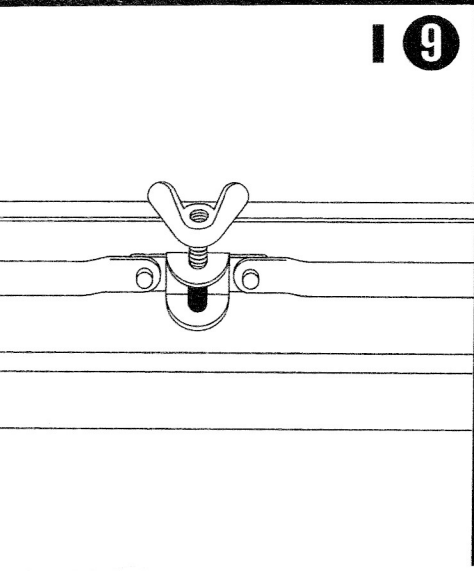
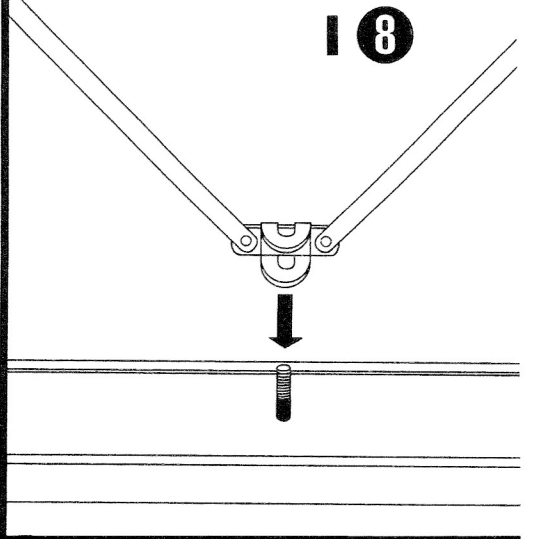
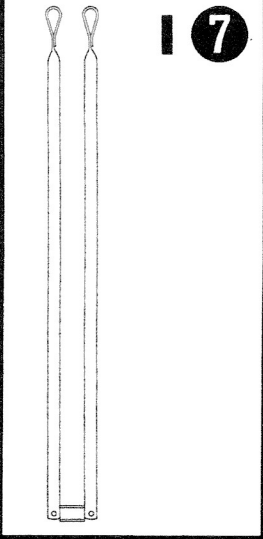
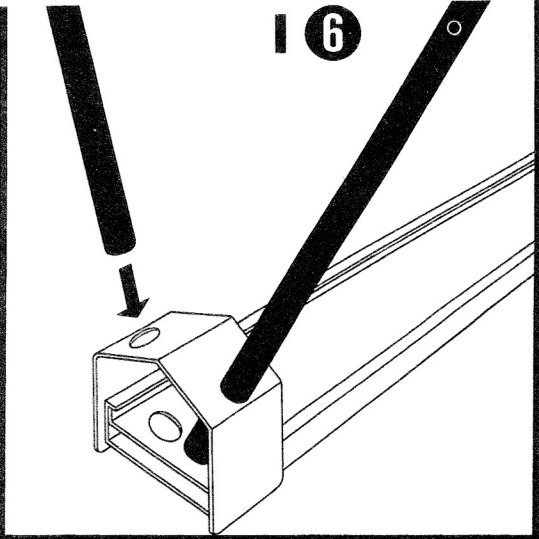
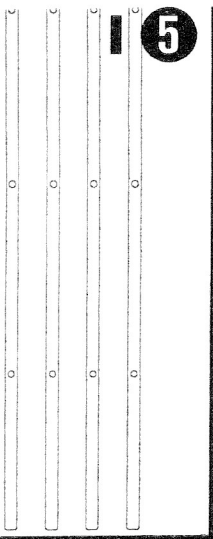
**III**

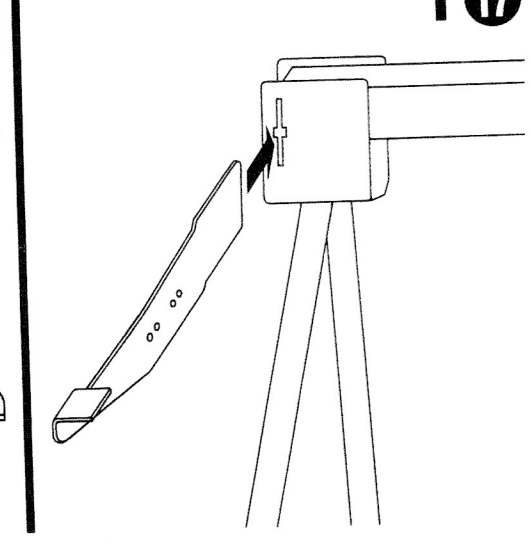
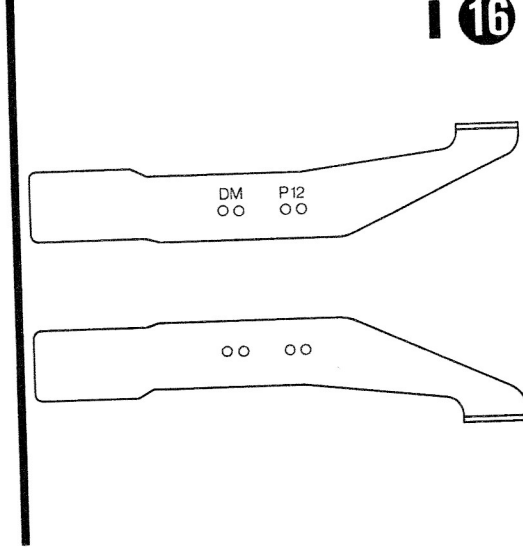
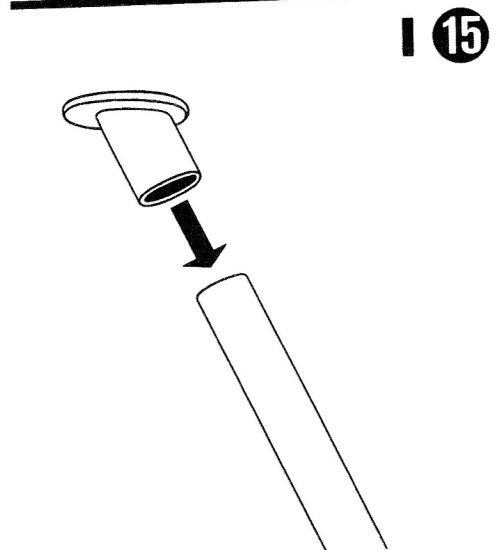
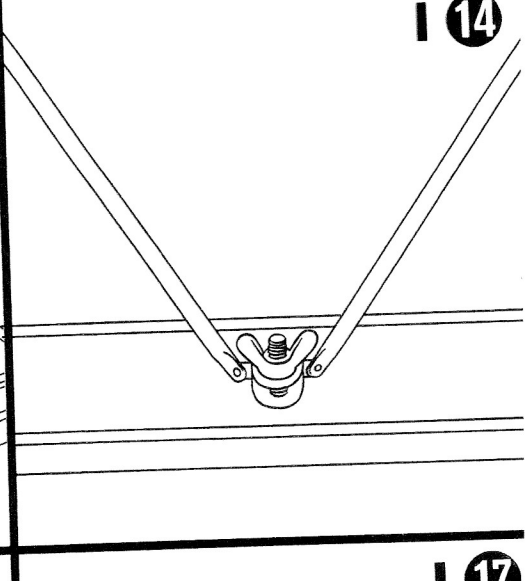
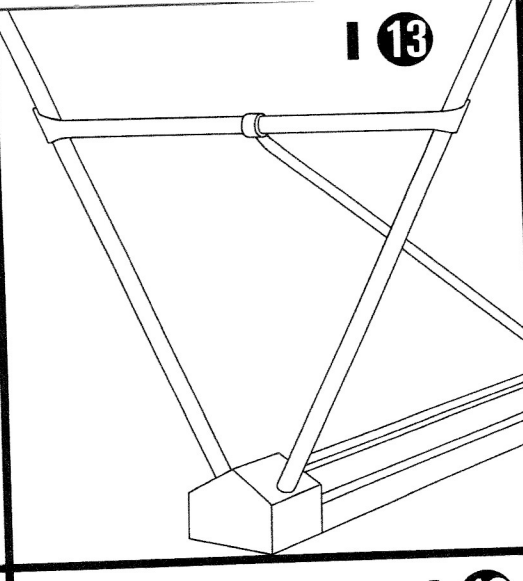
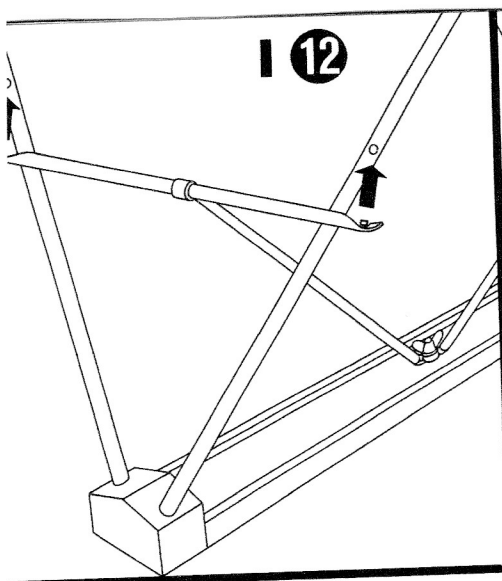
1



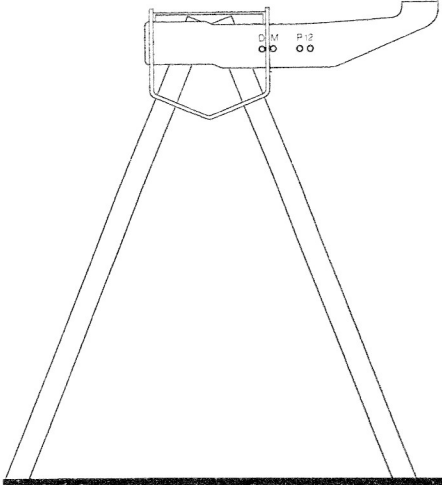
3



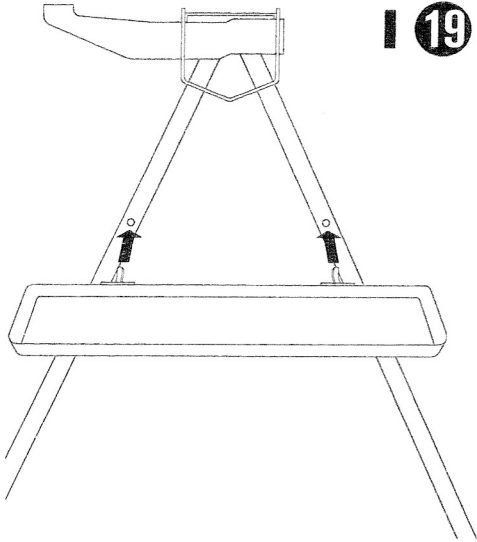




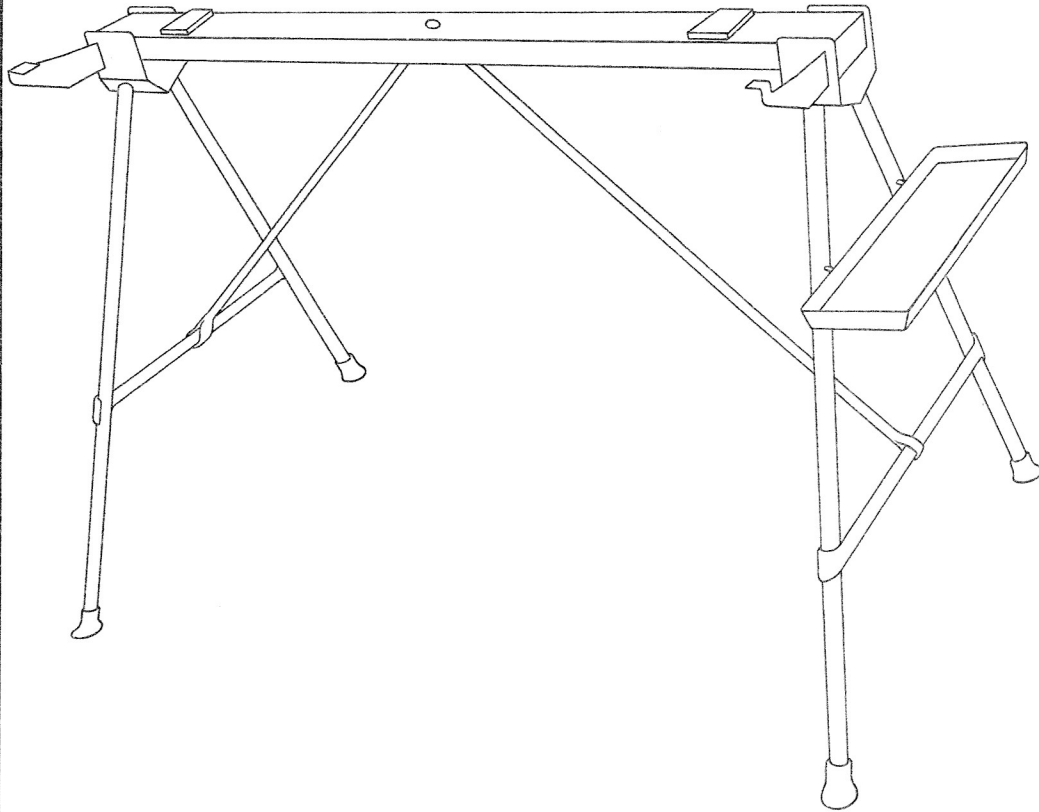
18



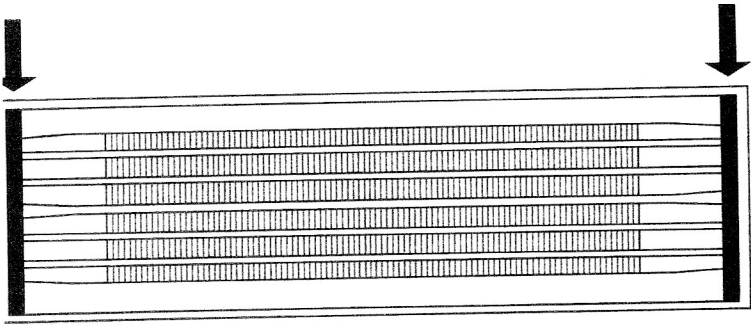
19



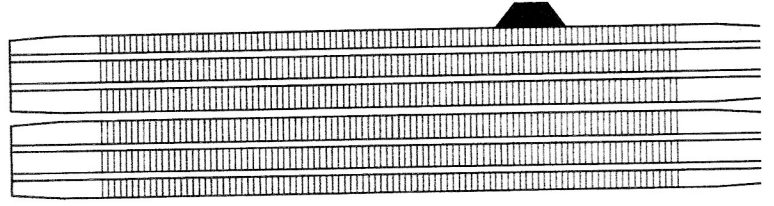
20



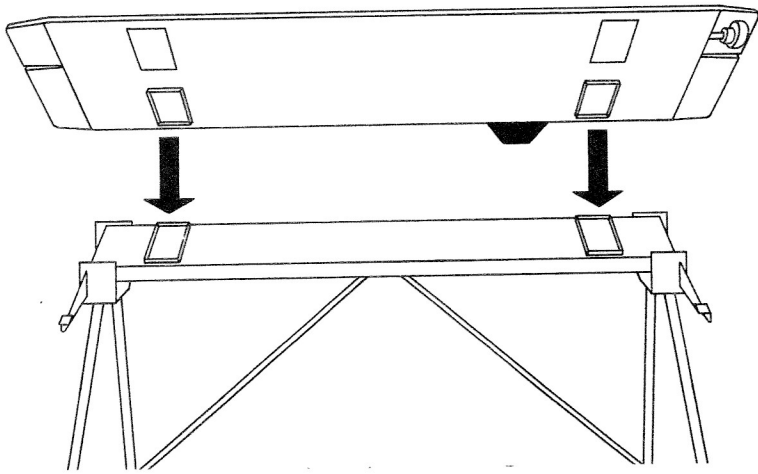
I 21



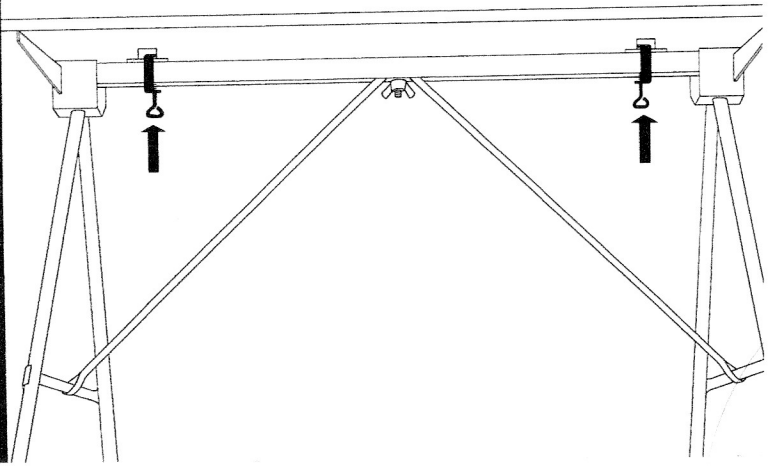
I 22



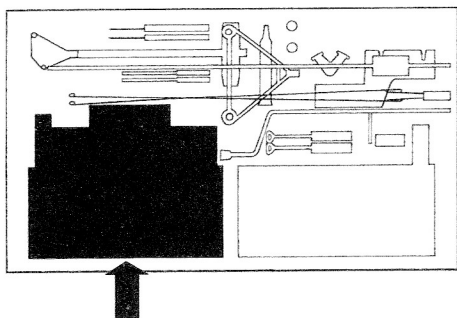
I 23



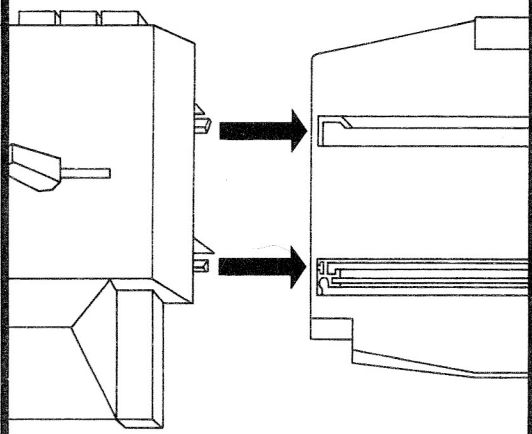
I 24



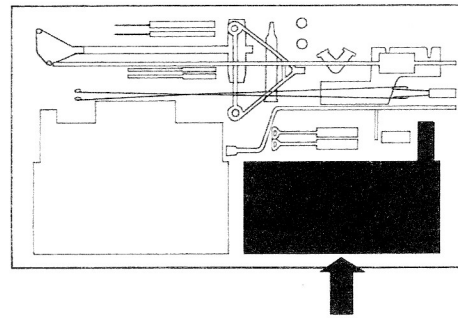
25



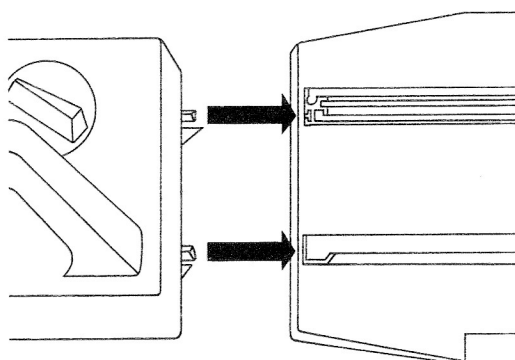
26



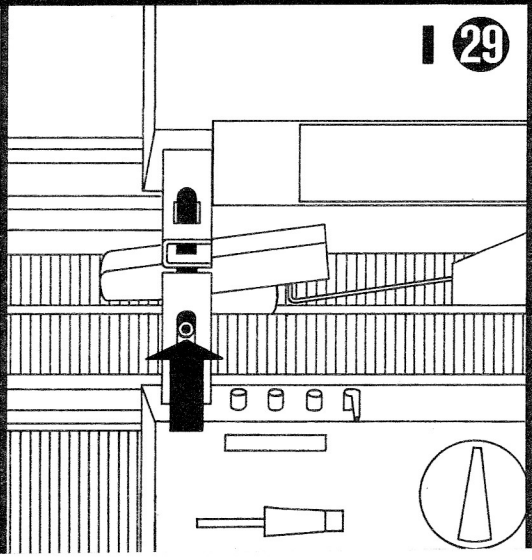
27



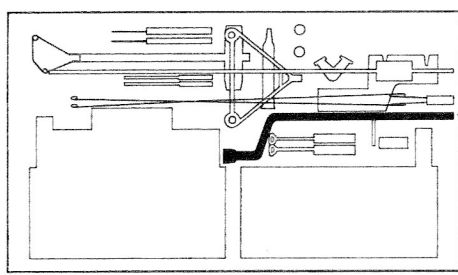
28



29

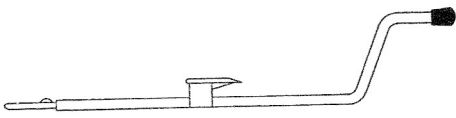


30

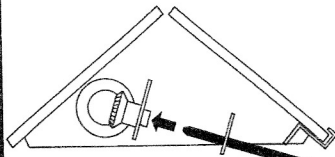




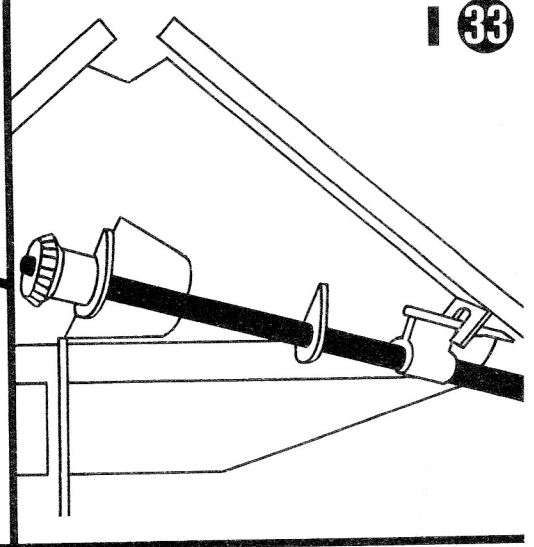
I 31



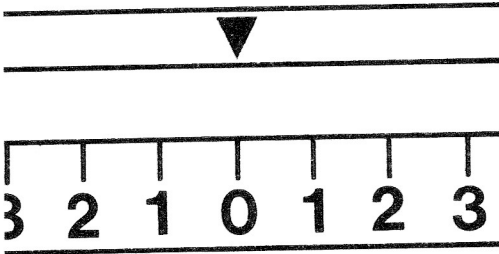
I 32



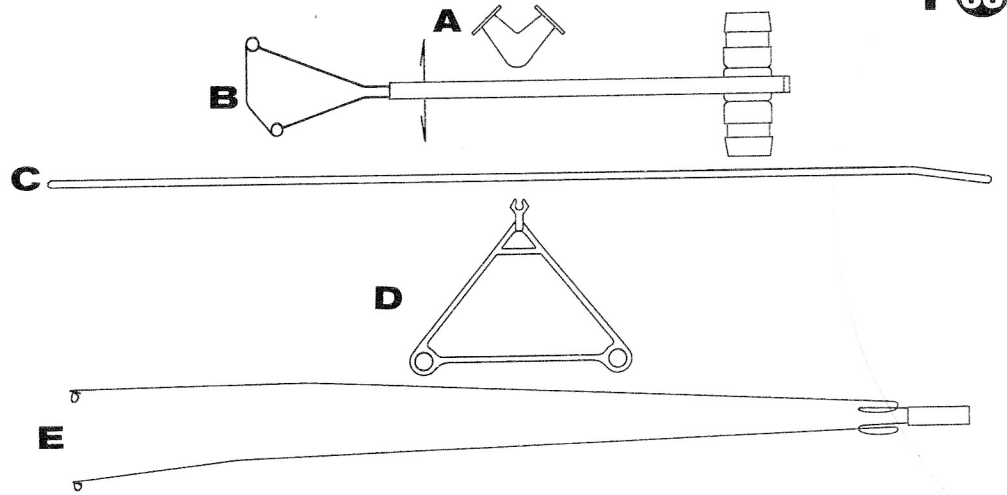
I 33



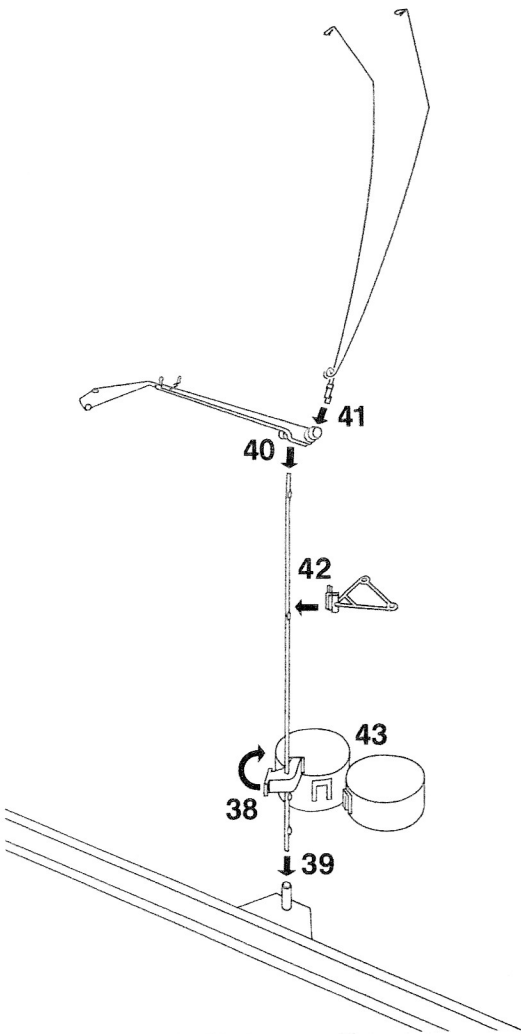
I 34



I 35



36



37



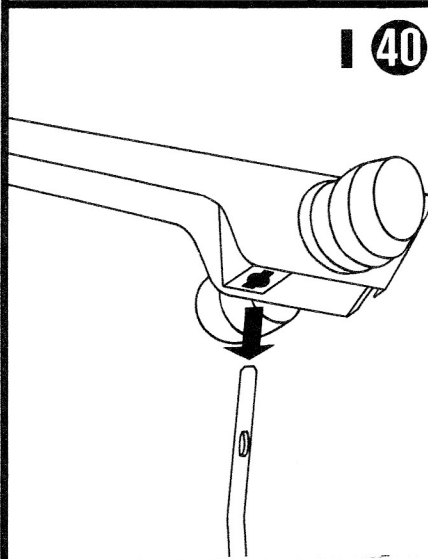
38



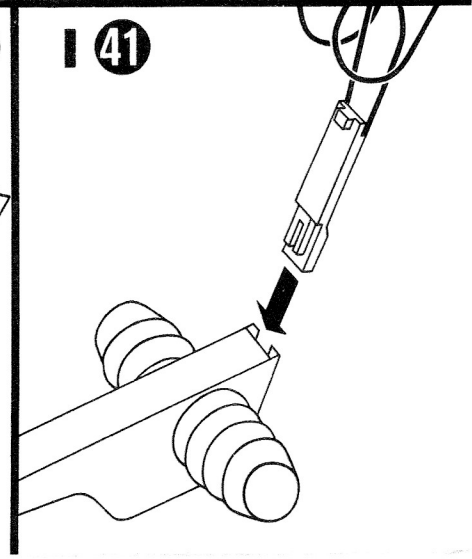
39



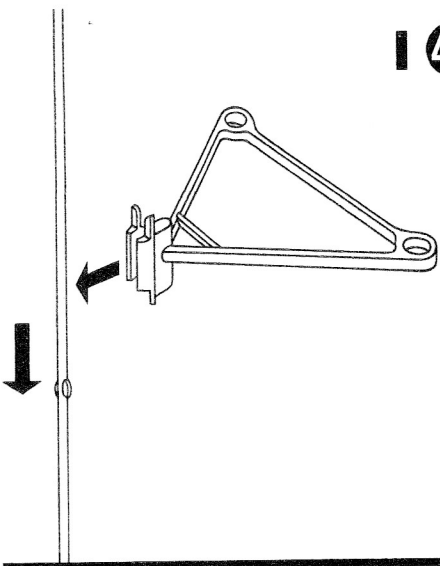
40



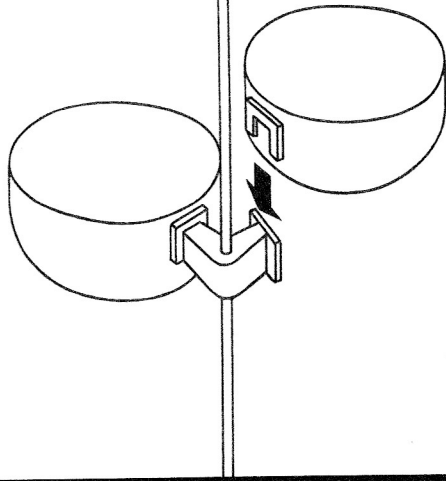
41



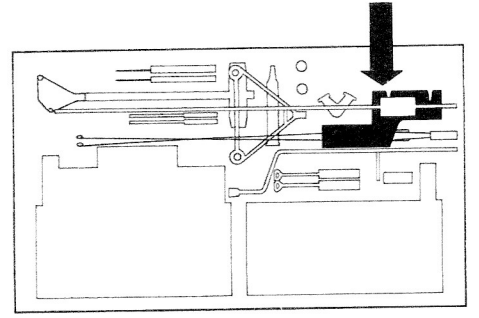
I 42



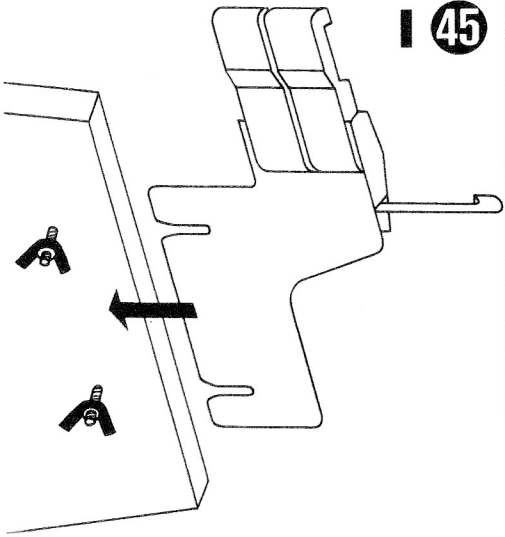
I 43



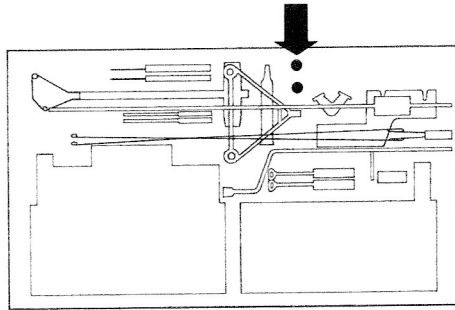
I 44



I 45



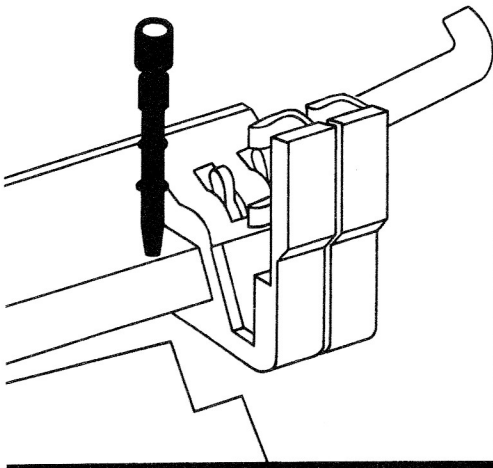
I 46



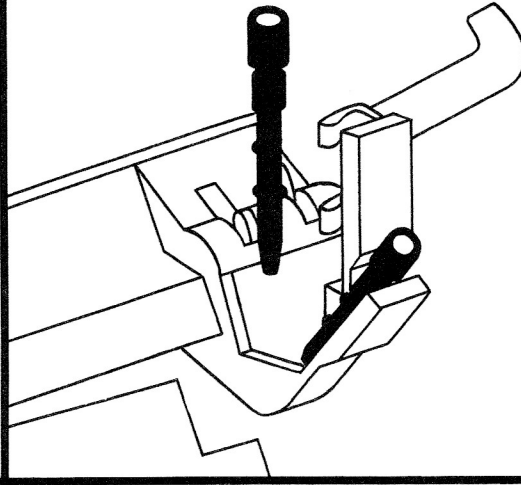
I 47



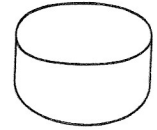
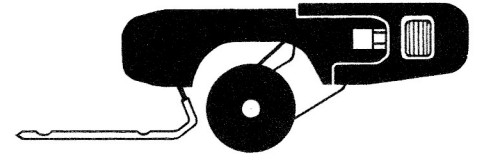
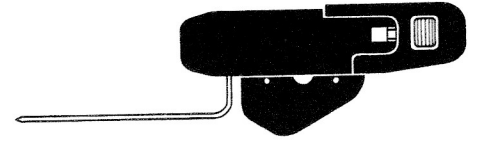
I 48



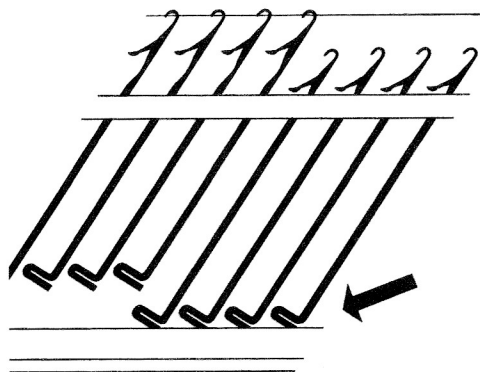
I 49



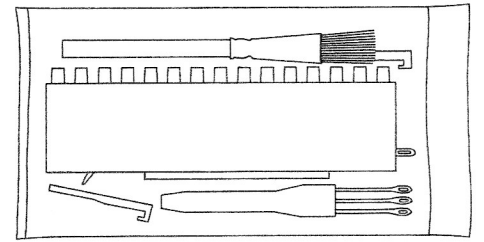
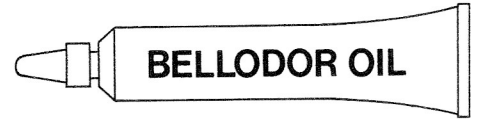
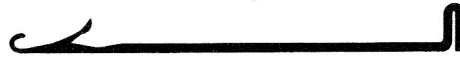
I 50



I 51



I 52



| 53

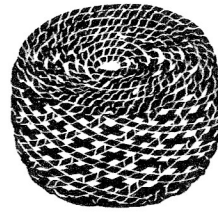
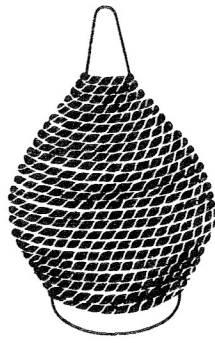


2½ - 3

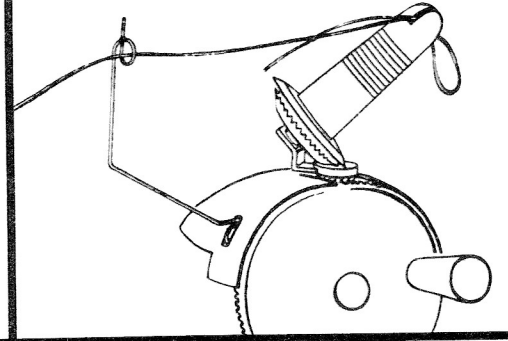
50 g = 250 m

100 g = 500 m

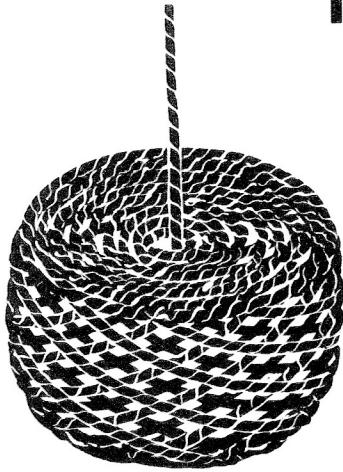
| 54



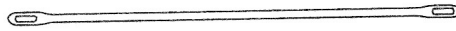
| 55



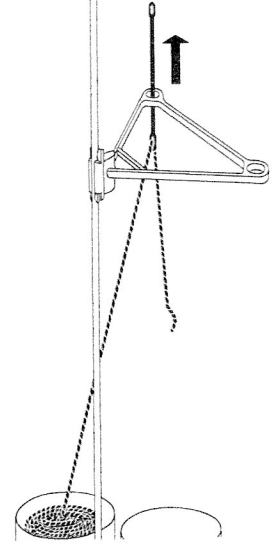
| 56



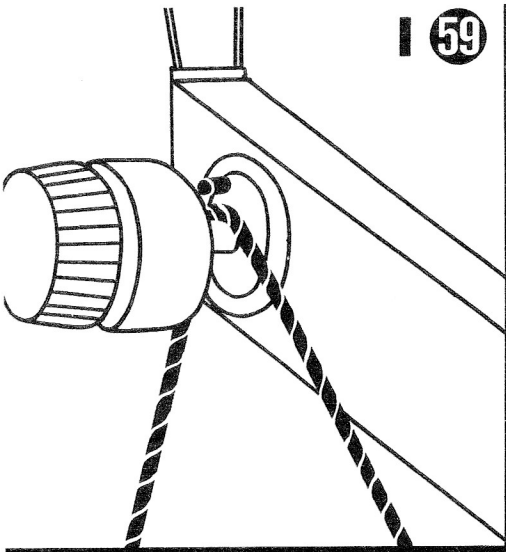
| 57



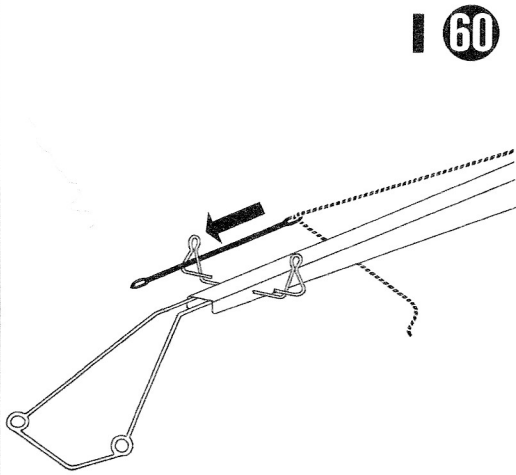
| 58



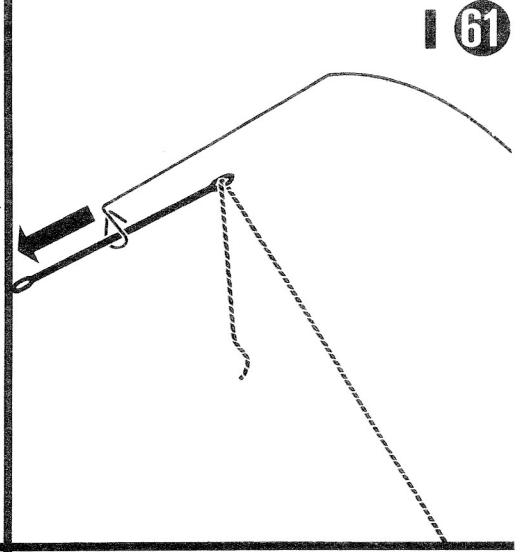
59



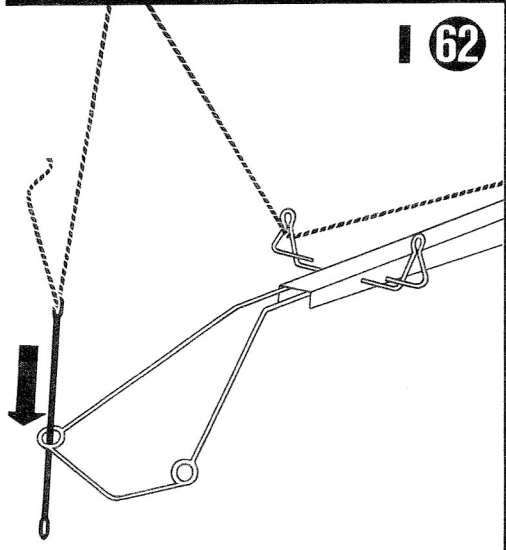
60



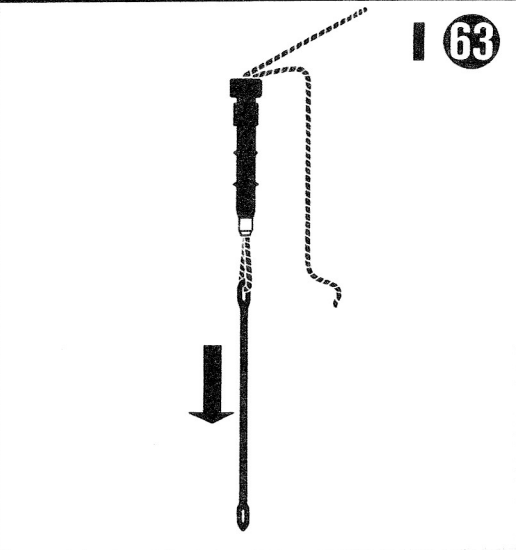
61



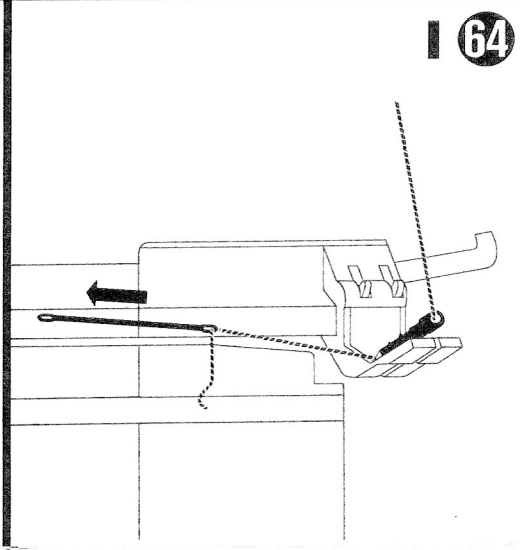
62

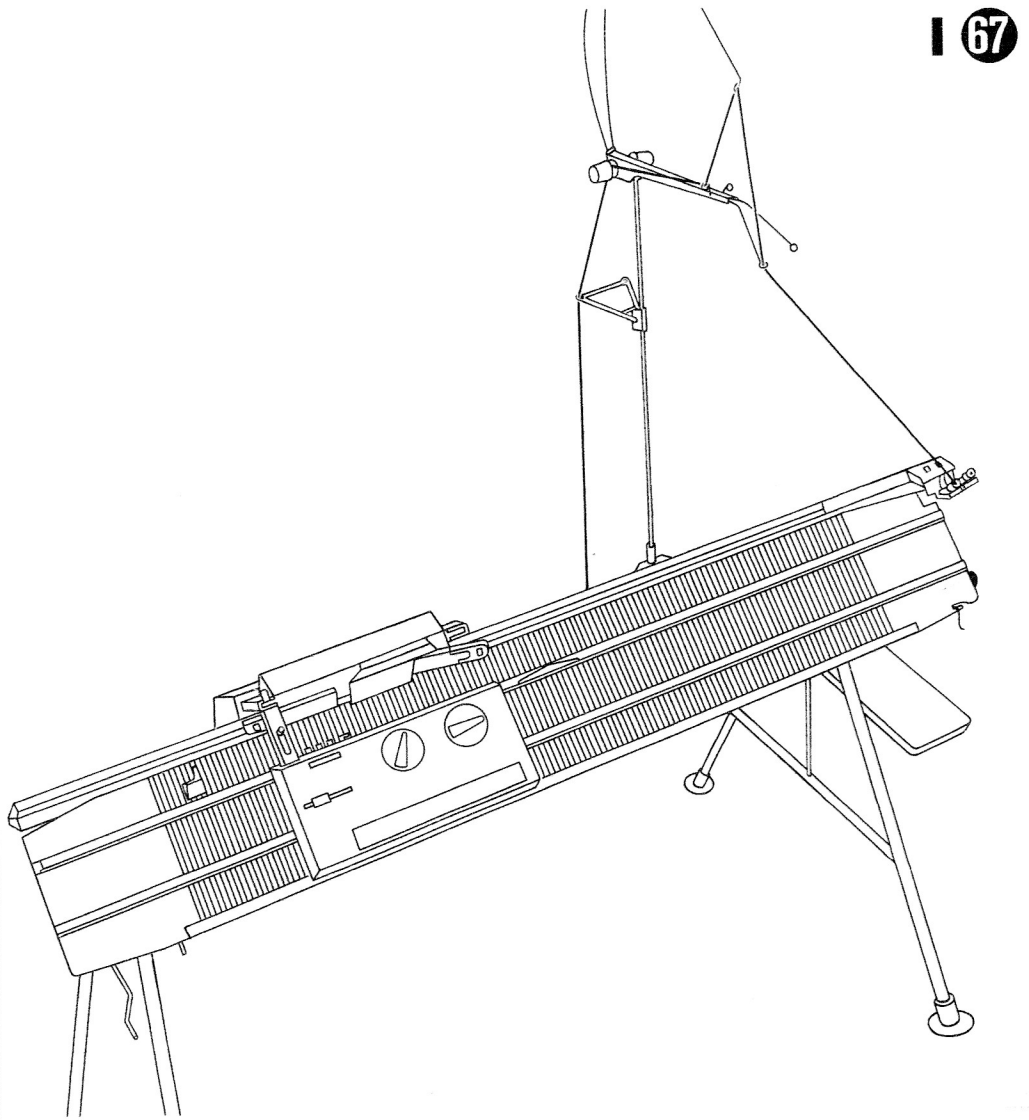
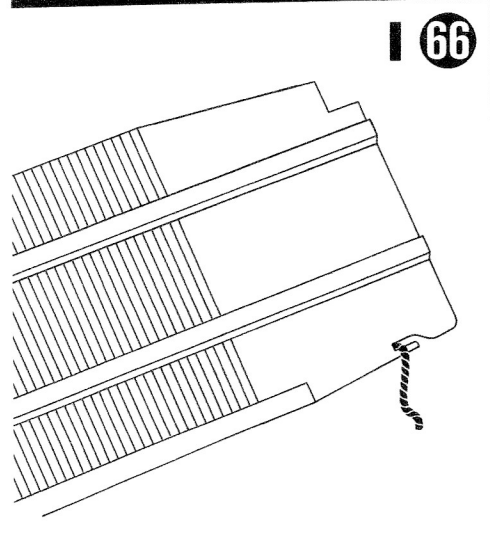
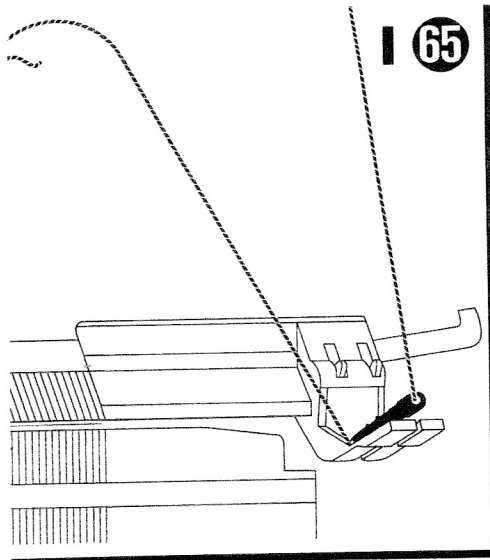


63

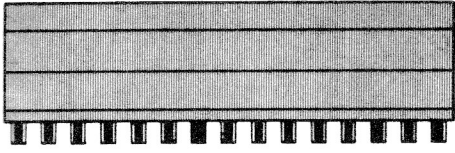


64

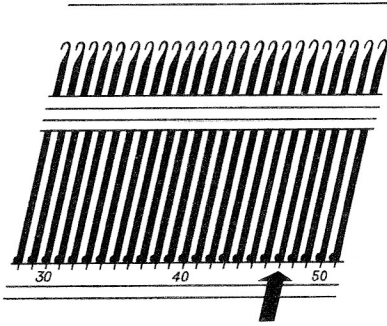




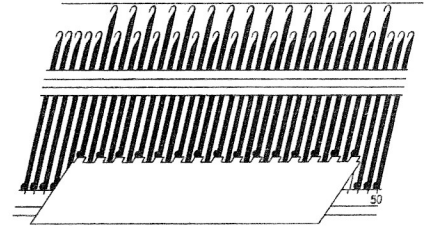
II 1



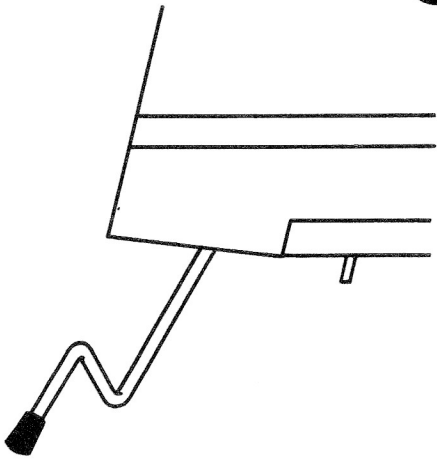
II 2



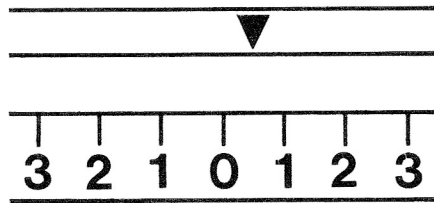
II 3



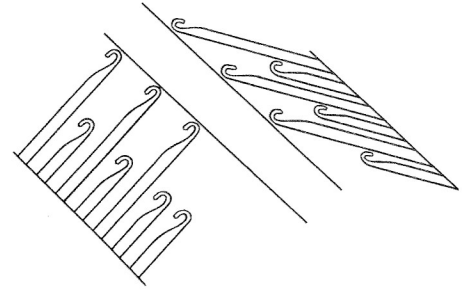
II 4



II 5

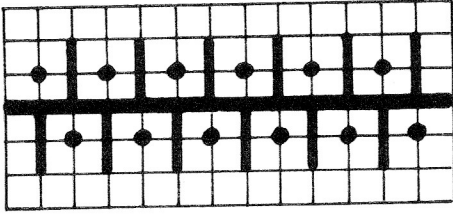


II 6

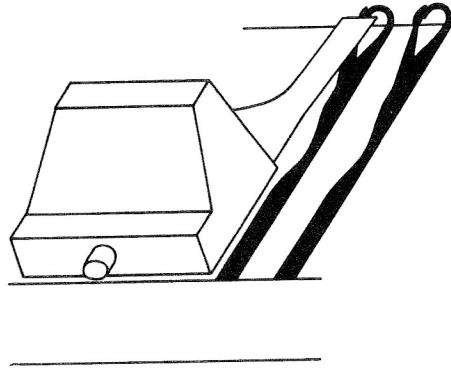




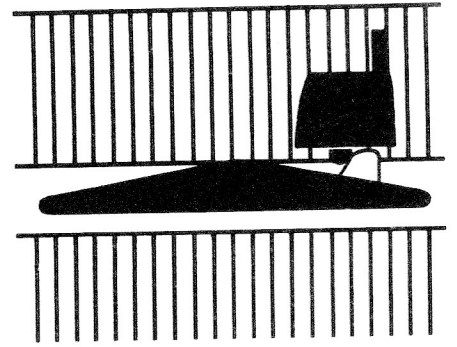
II 7



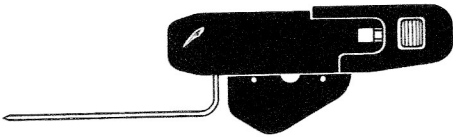
II 8



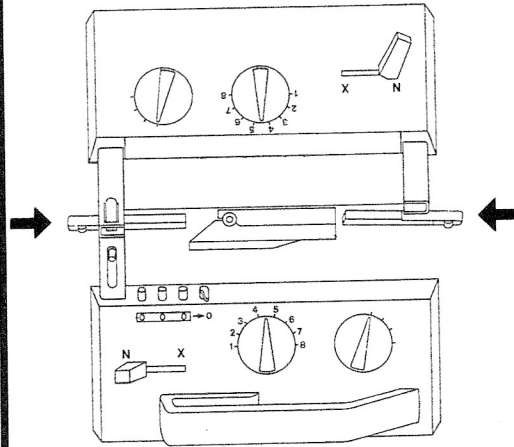
II 9



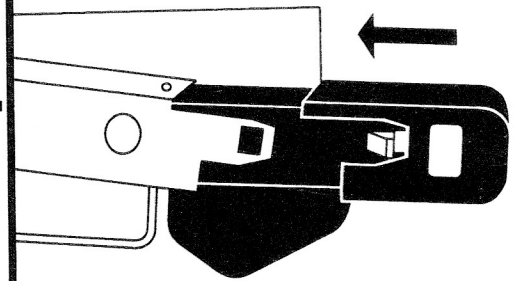
II 10



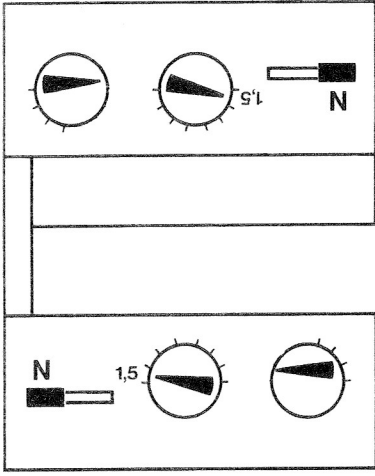
II 11



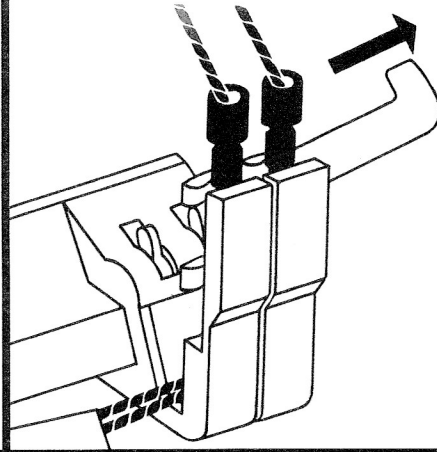
II 12



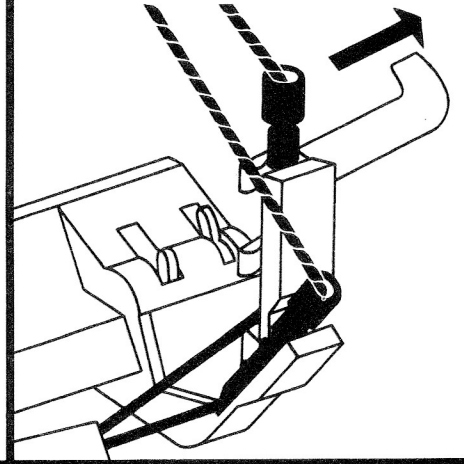
II 13



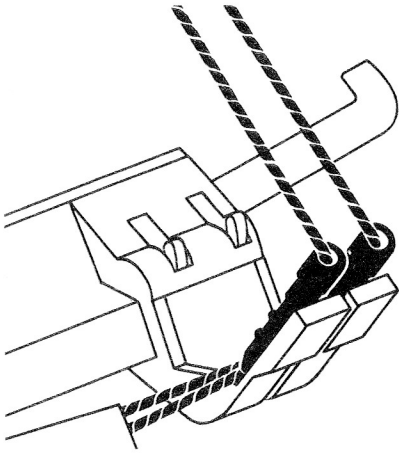
II 14



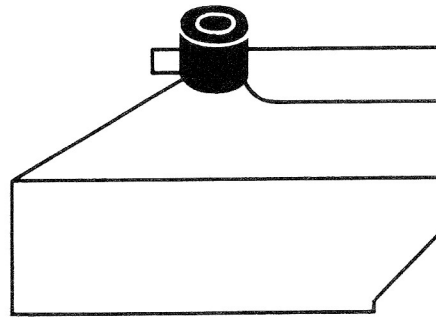
II 15



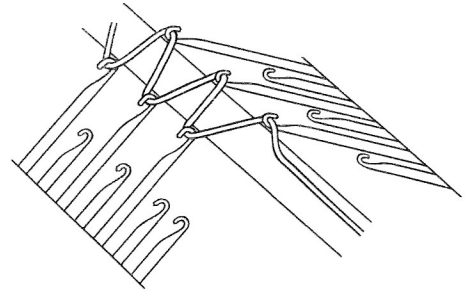
II 16



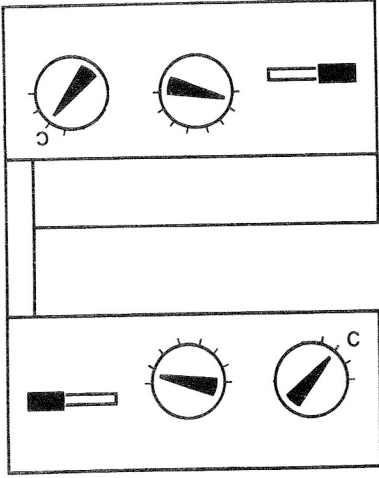
II 17



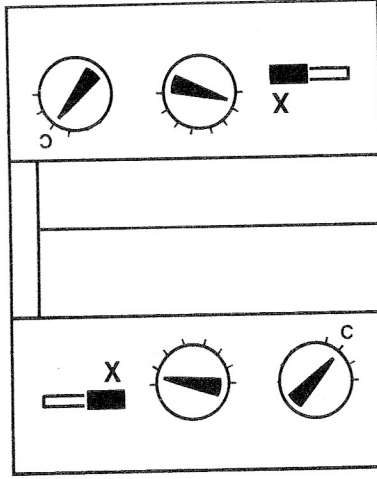
II 18



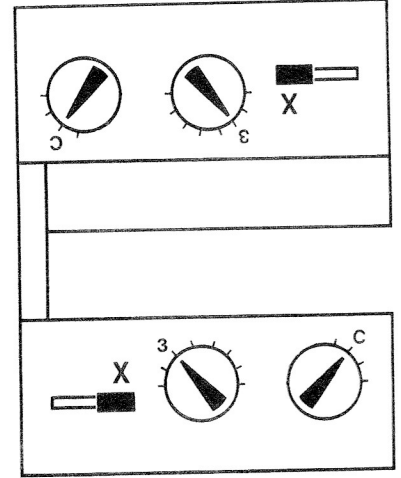
II 19



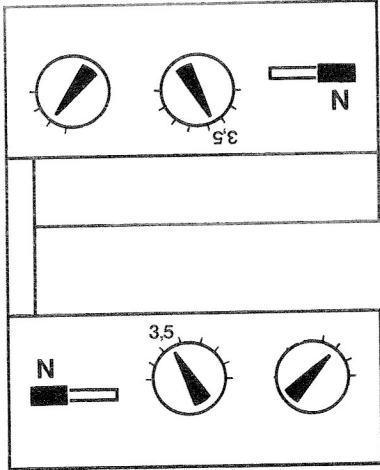
II 20



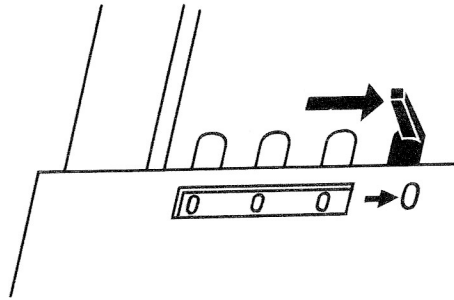
II 21



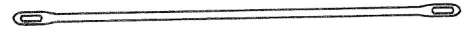
II 22



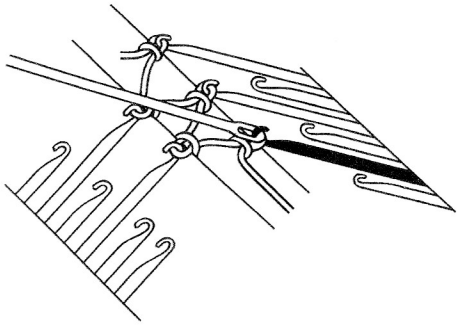
II 23



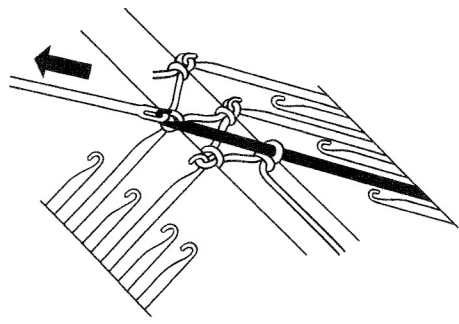
II 24



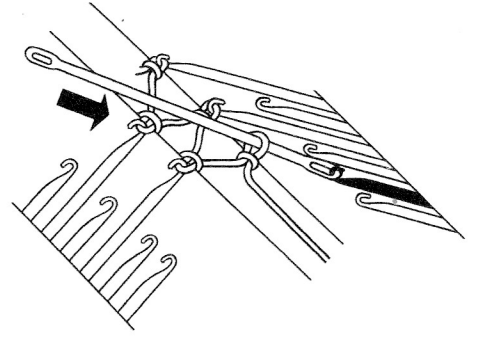
II 25



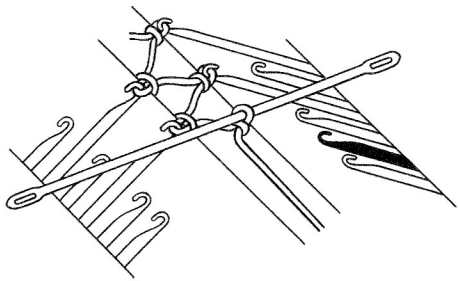
II 26



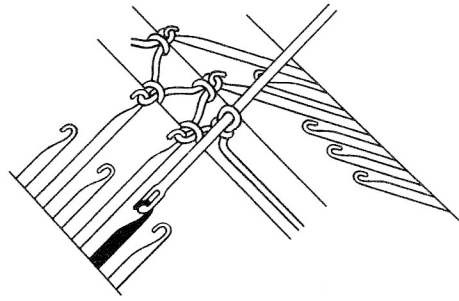
II 27



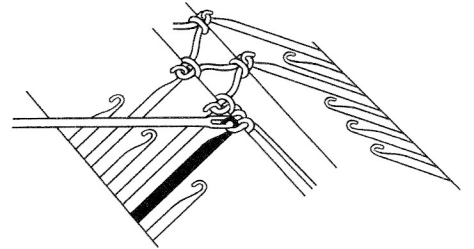
II 28



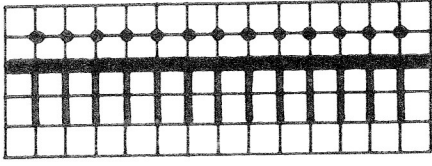
II 29



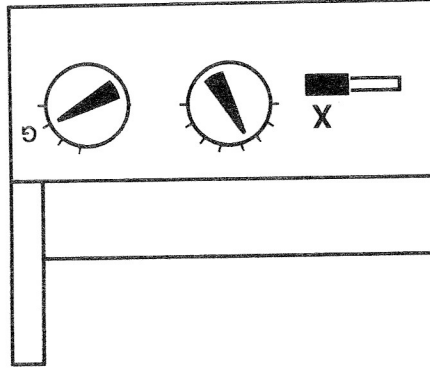
II 30



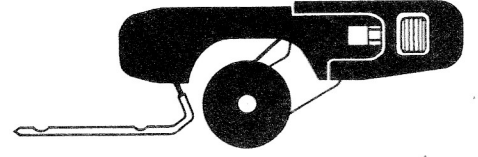
II 31



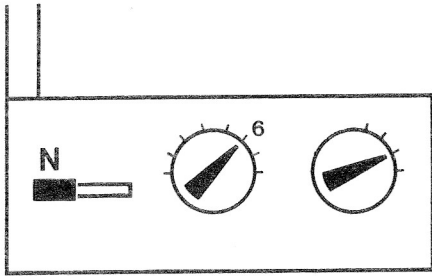
II 32



II 33



II 34



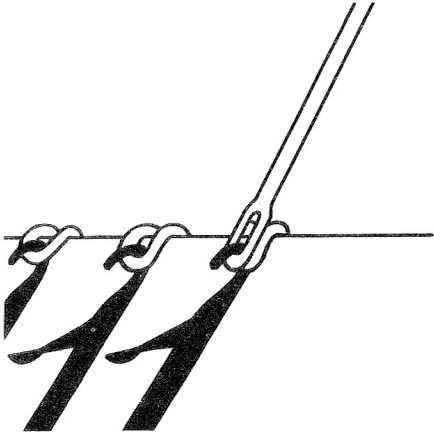
II 35



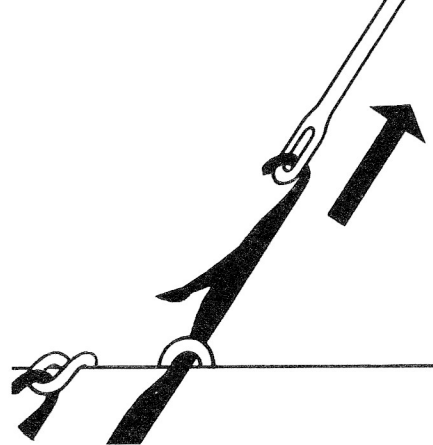
II 36



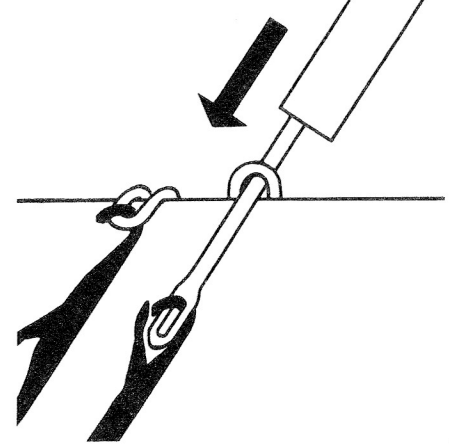
II 37



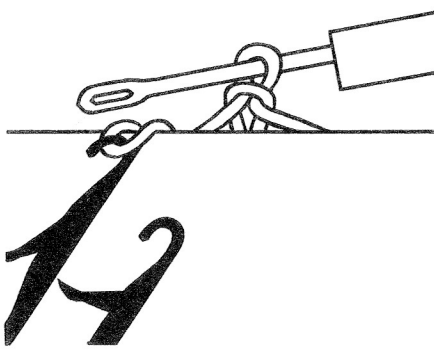
II 38



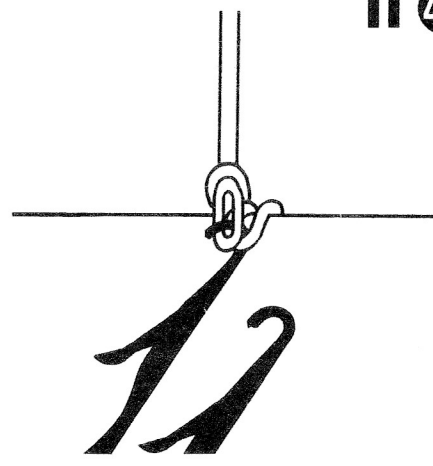
II 39



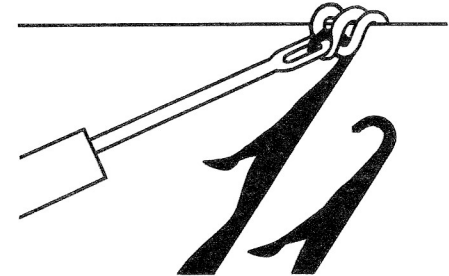
II 40

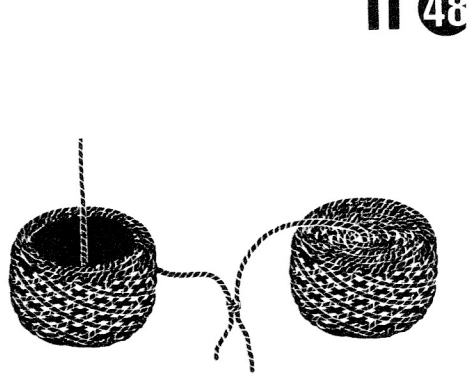
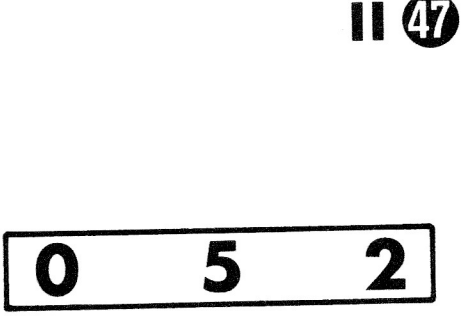
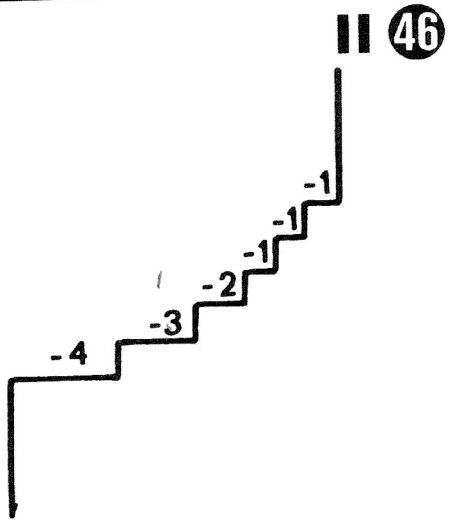
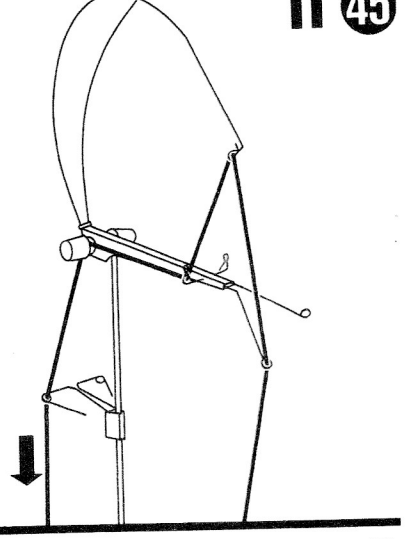
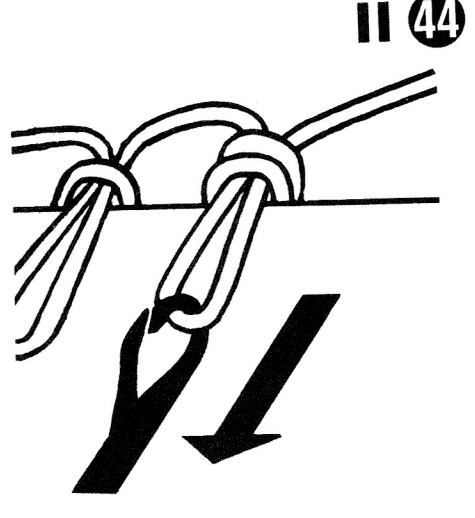
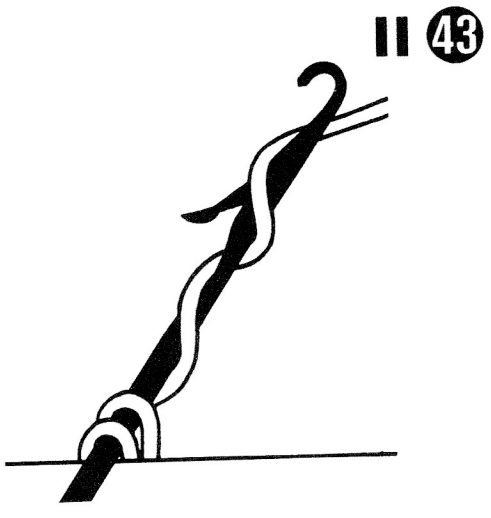


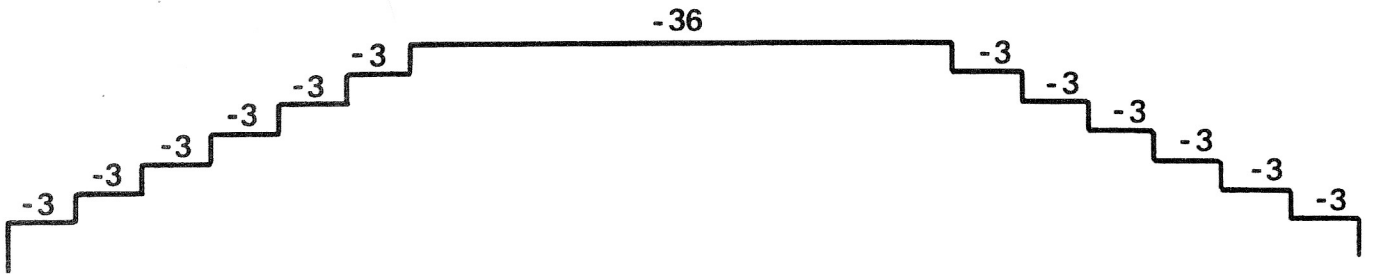
II 41



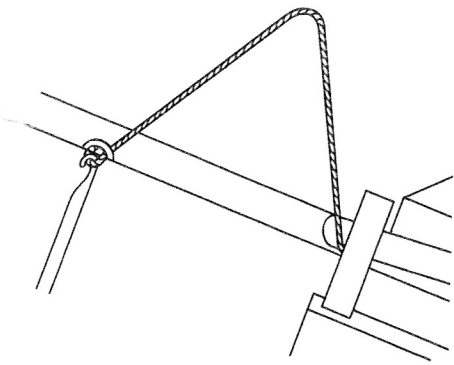
II 42



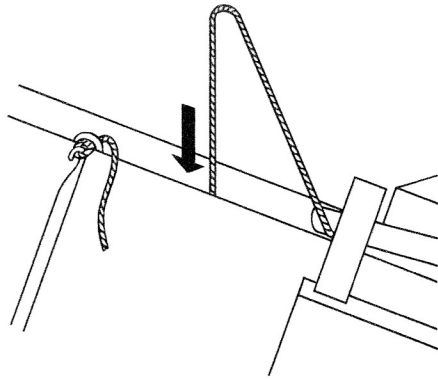




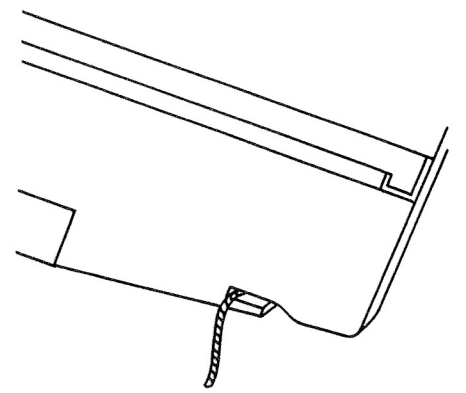
II 50



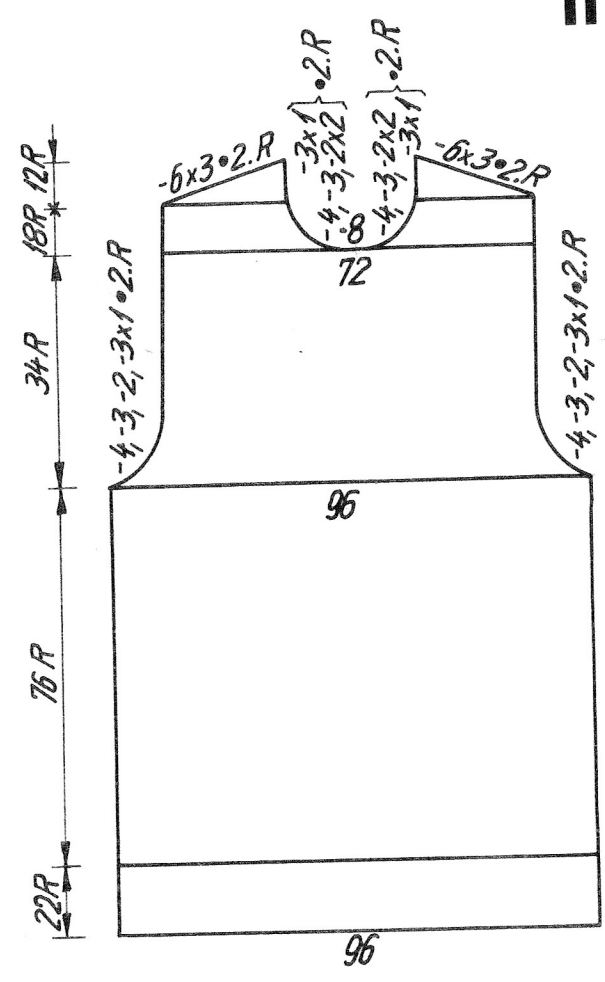
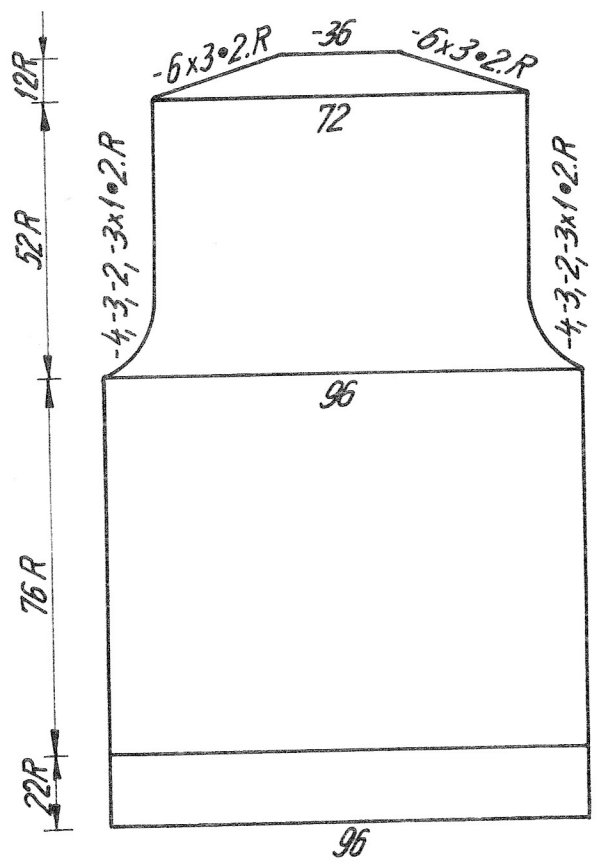
II 51



II 52



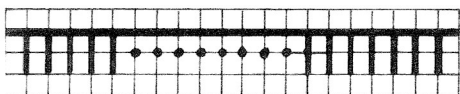




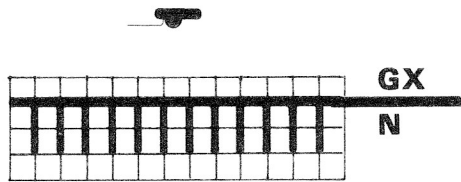
II 55

0 2 2

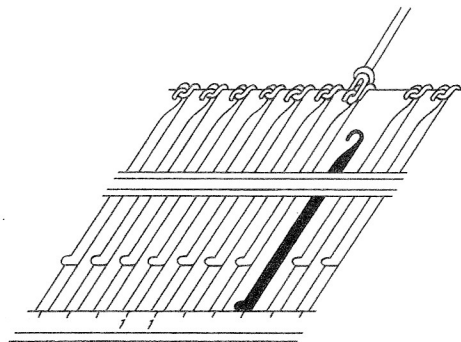
$N 3\frac{1}{2}$   
 $N 3\frac{1}{2}$



II 56



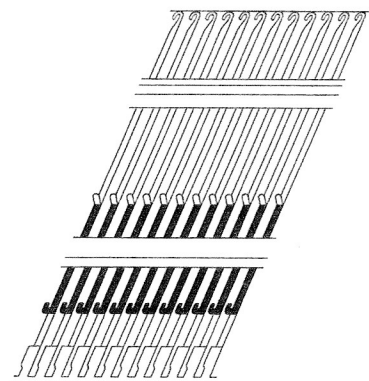
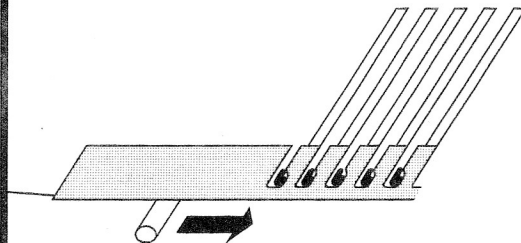
II 57



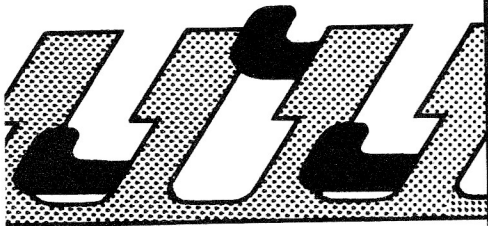
II 58

II 59

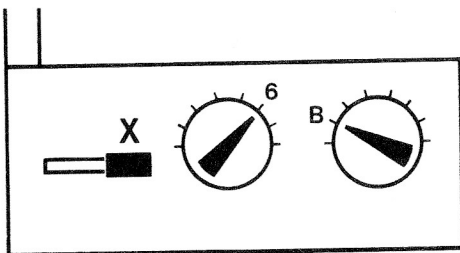
II 60



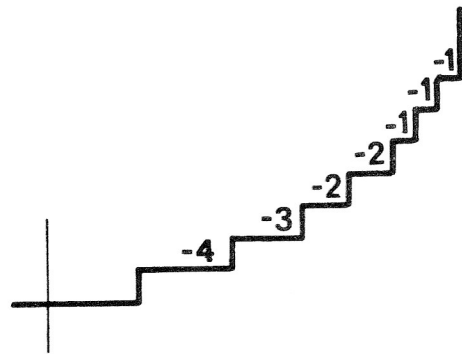
II 61



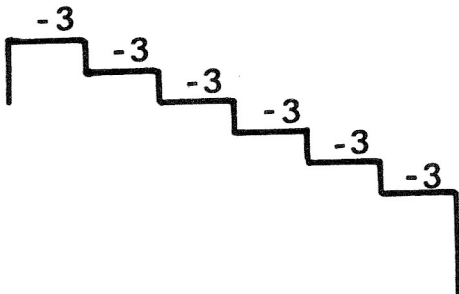
II 62



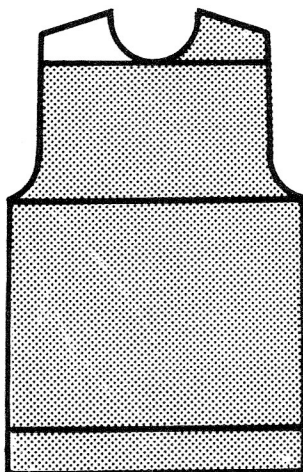
II 63



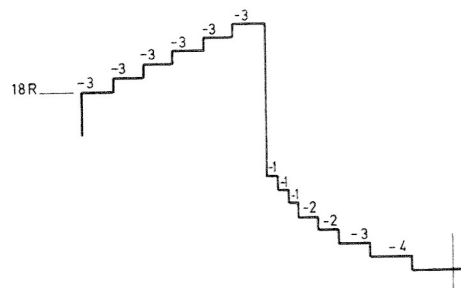
II 64

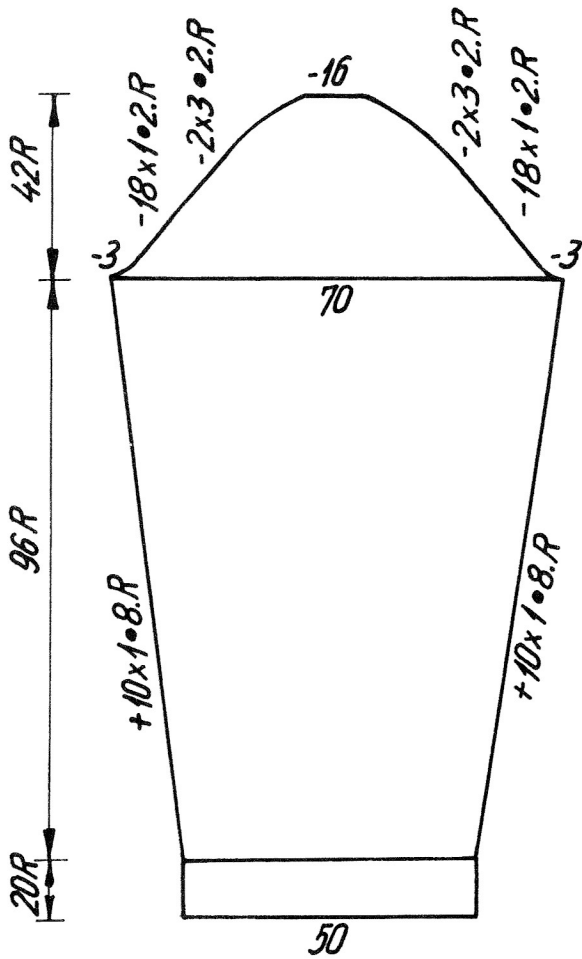


II 65



II 66





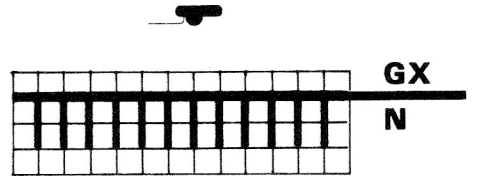
|| 67

|| 68

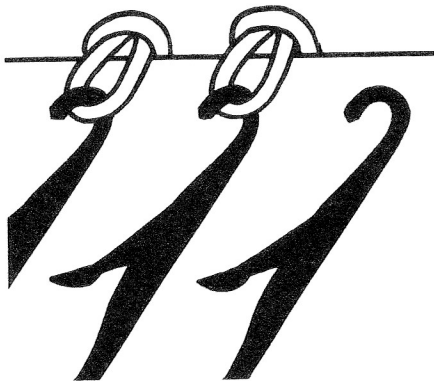
0 2 0

$N 3\frac{1}{2}$   
 $N 3\frac{1}{2}$

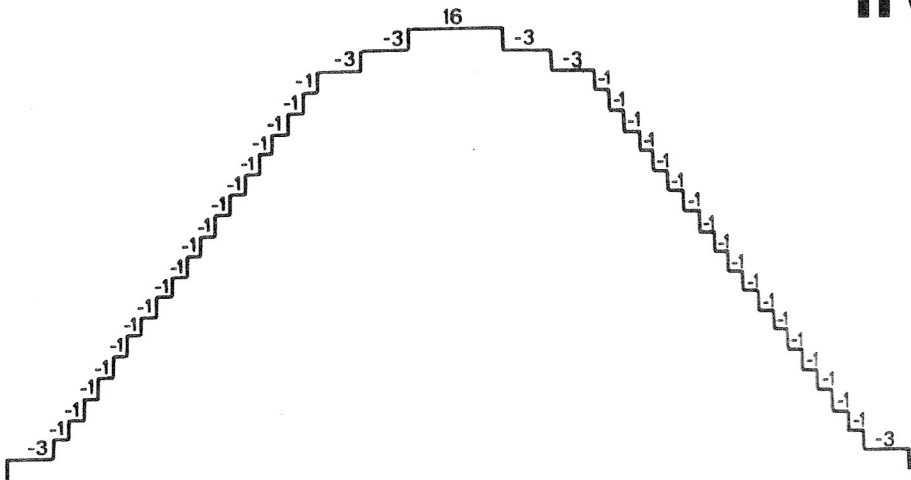
|| 69



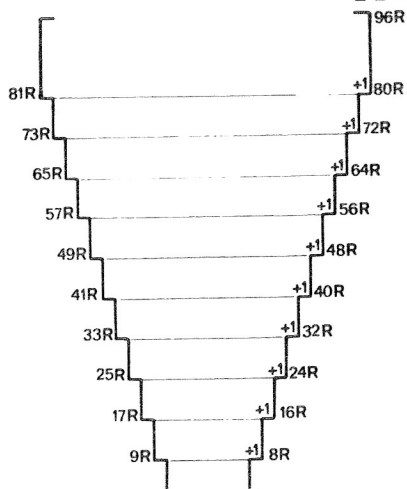
II 70



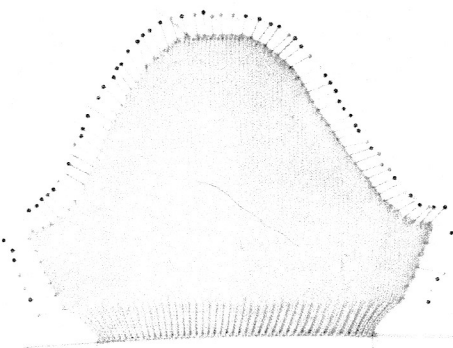
II 72



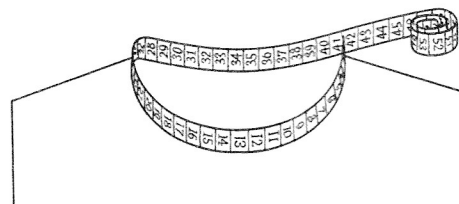
II 71



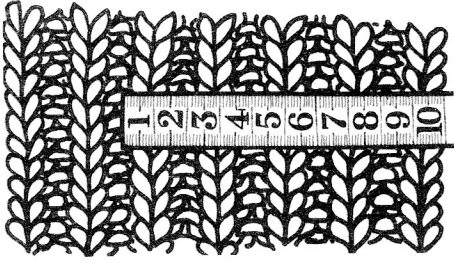
II 73



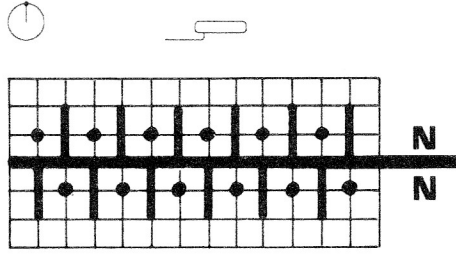
II 74



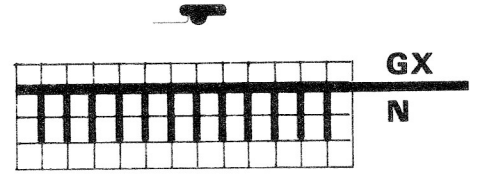
II 75



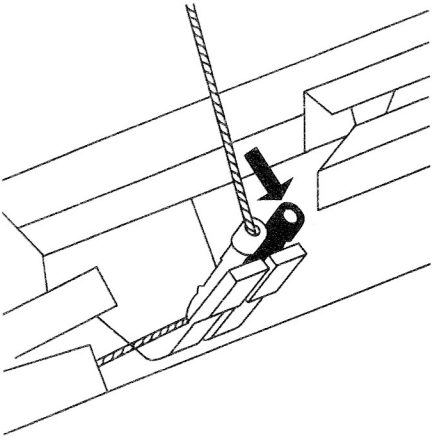
II 76



II 77



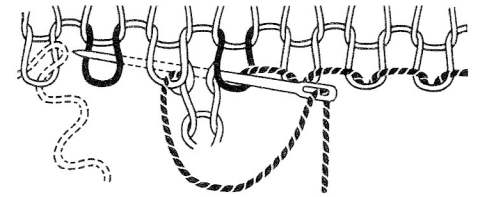
II 78



II 79



II 80



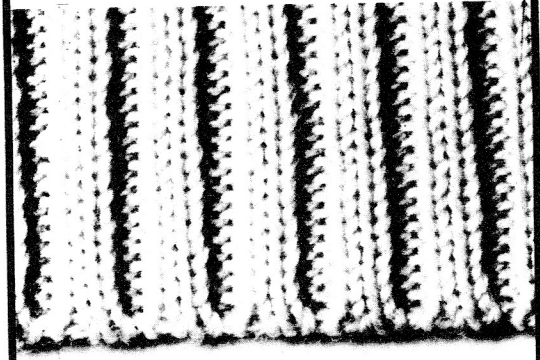
III 1



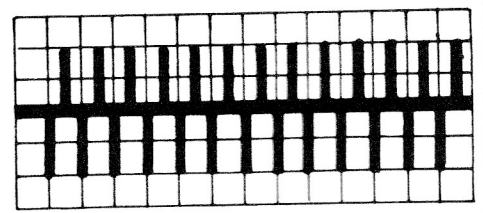
3-3 1/2

100g = 330m

III 2

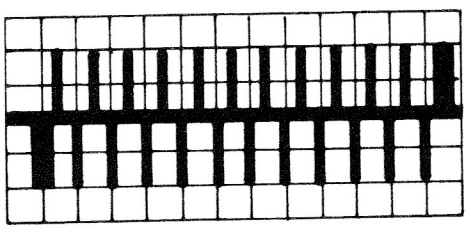


III 3

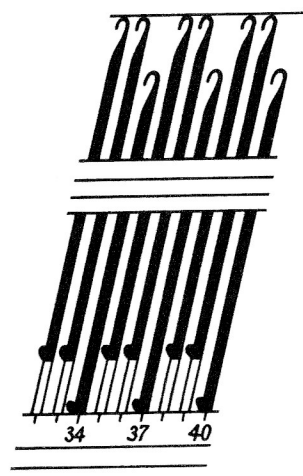


↑  
40

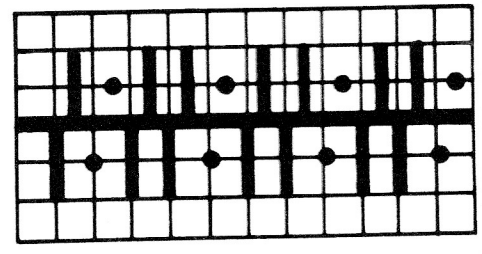
III 4



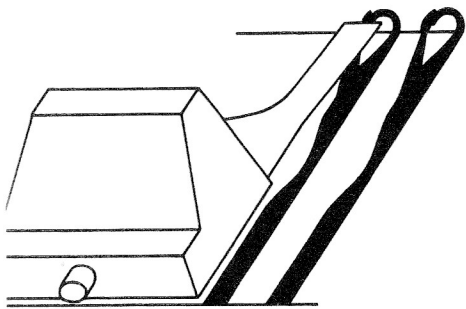
III 5



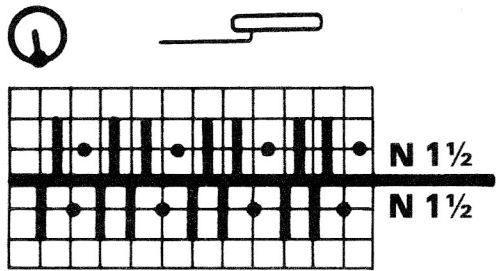
III 6



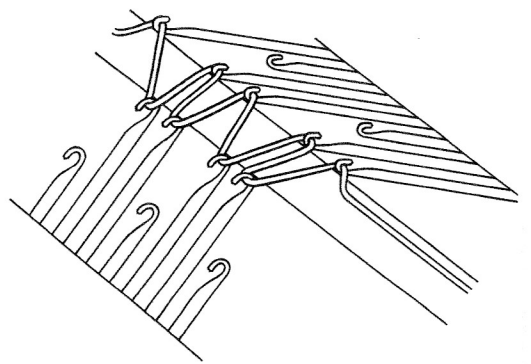
III 7



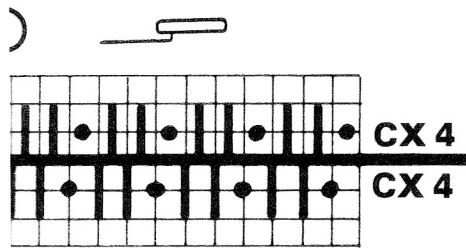
III 8



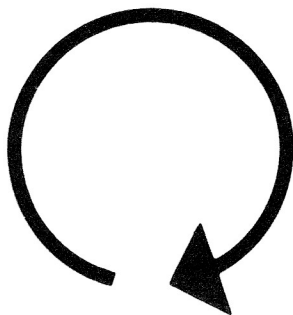
III 9



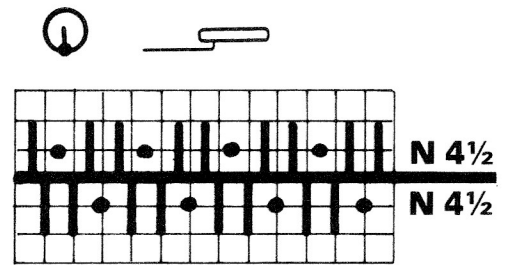
III 10



III 11



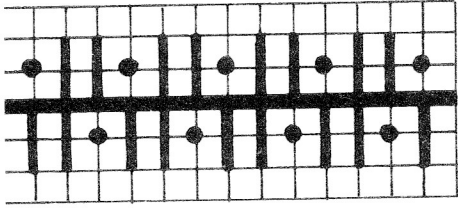
III 12



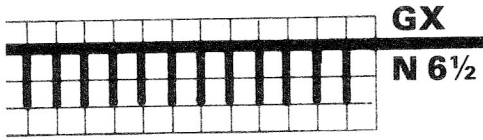
0	1	6
---	---	---



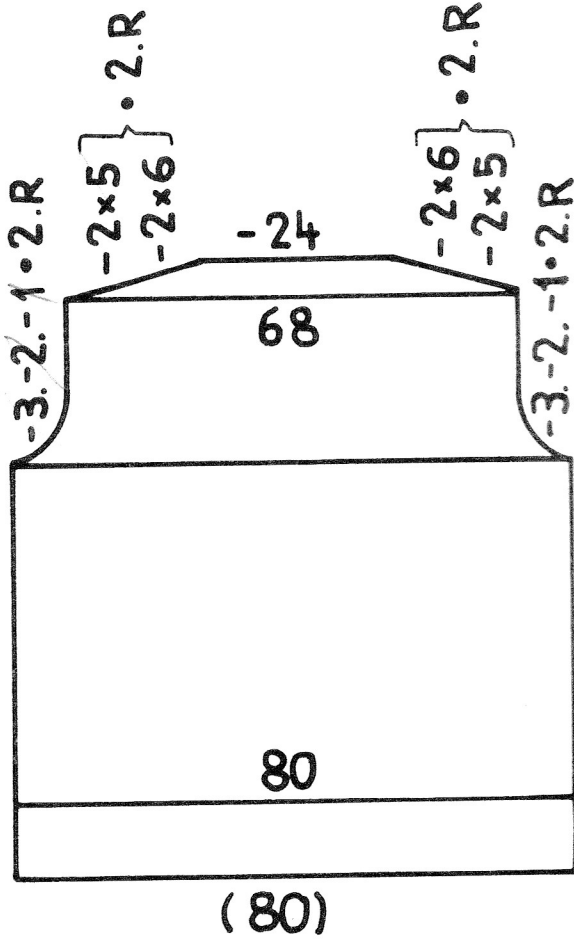
III 13



III 14

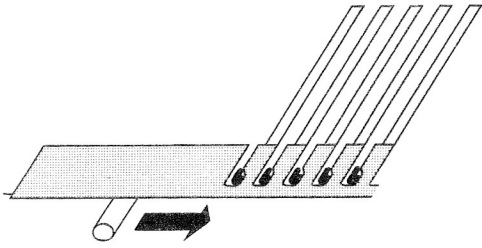


16R  
70R  
36R  
8R

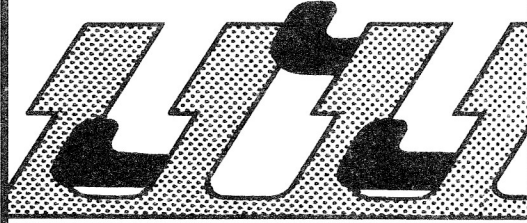


III 15

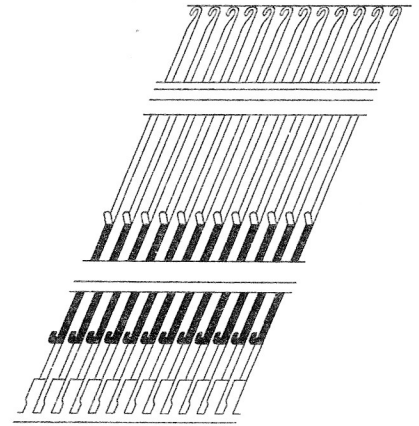
III 16



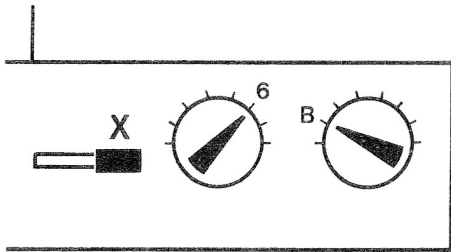
III 17



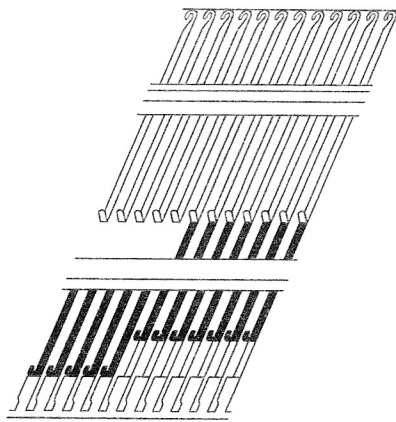
III 18



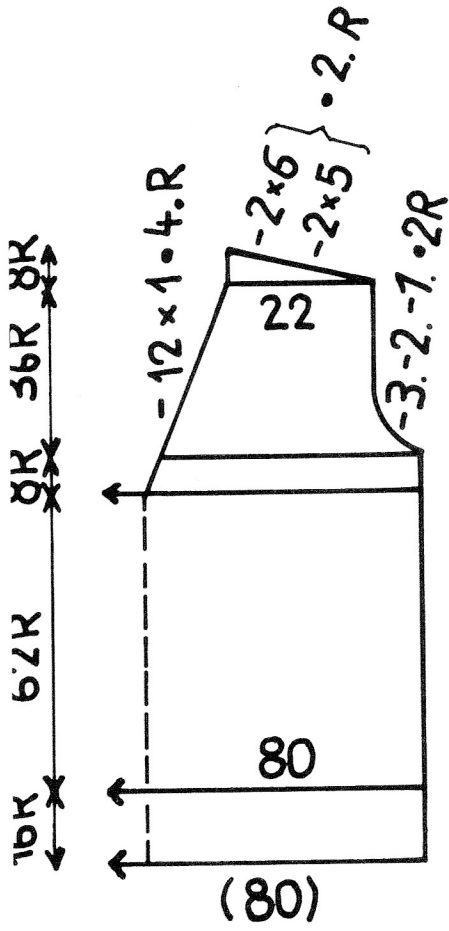
III 19



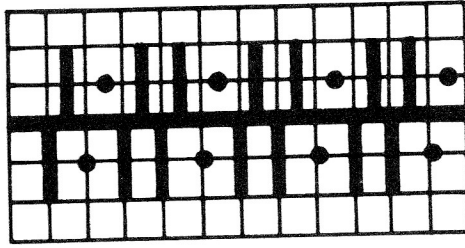
III 20



III 21



III 22



1 R  $\frac{N 1\frac{1}{2}}{N 1\frac{1}{2}}$

III 23

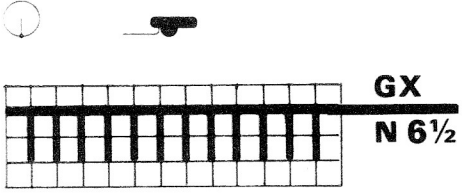
III 24

2 R  $\frac{CX 4}{CX 4}$

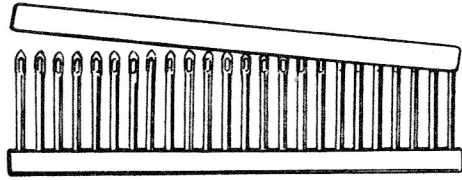
III 25

1 R  $\frac{N 4\frac{1}{2}}{N 4\frac{1}{2}}$

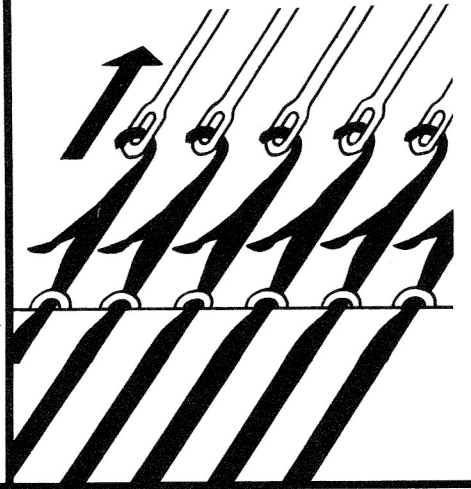
III 26



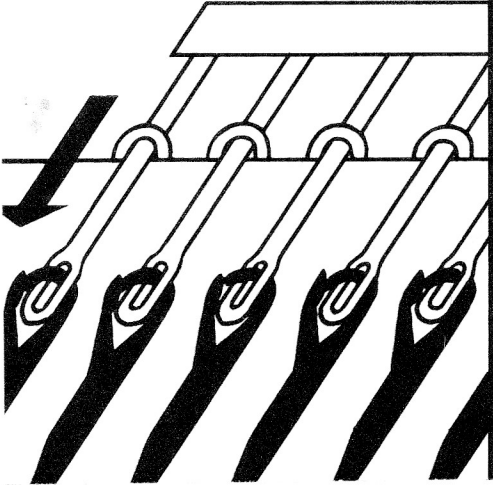
III 27



III 28



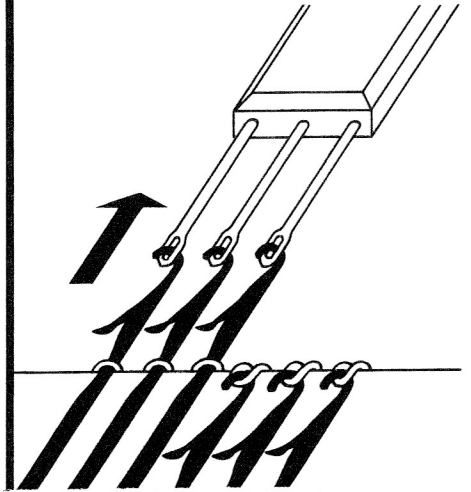
III 29



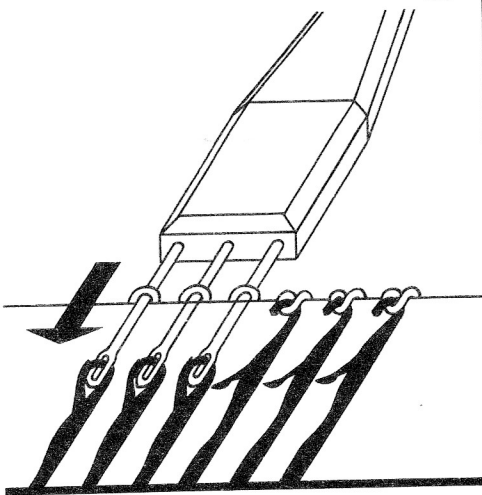
III 30



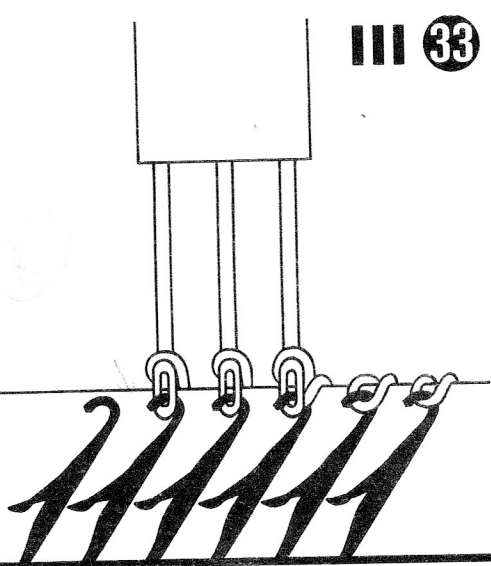
III 31



III 32



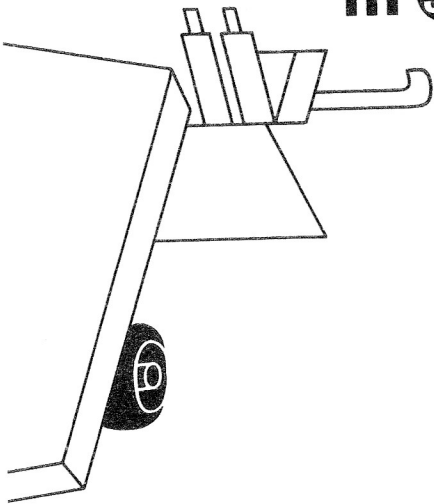
III 33



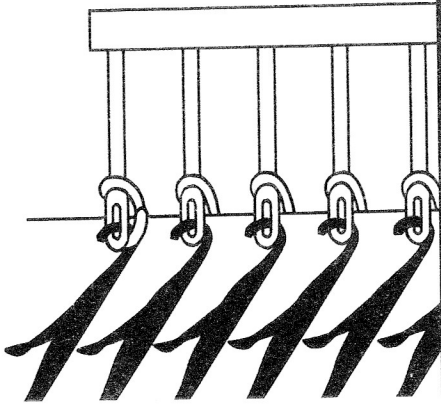
III 34

	000	

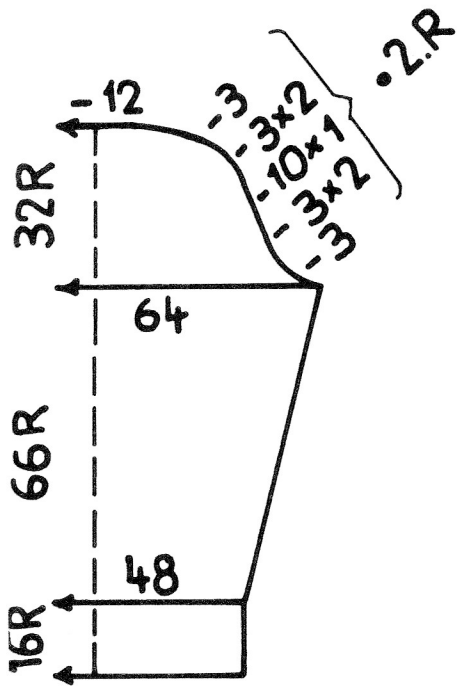
III 35



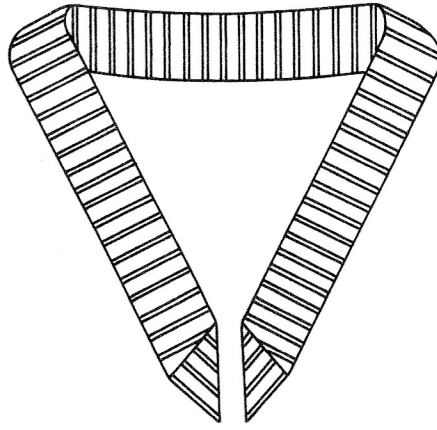
III 36



III 37



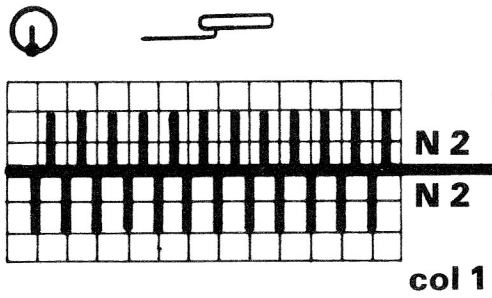
III 38



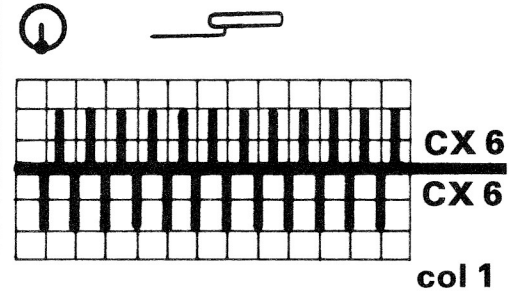
III 39



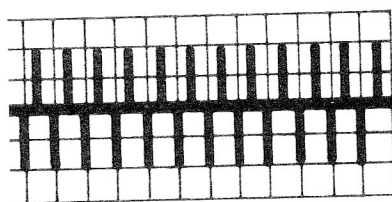
III 40



III 41



III 42

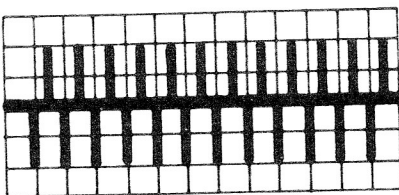


CX 6

CX 6

col 1

III 43

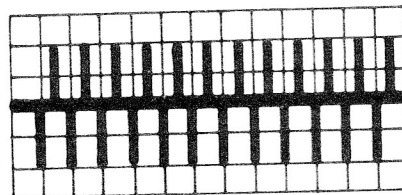


N 3<sup>3</sup>/<sub>4</sub>

N 3<sup>3</sup>/<sub>4</sub>

col 1

III 44

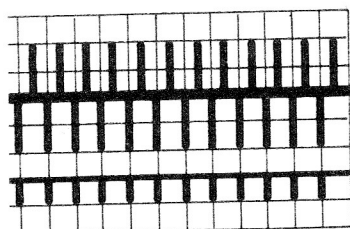


EX

EX

col 1

III 45

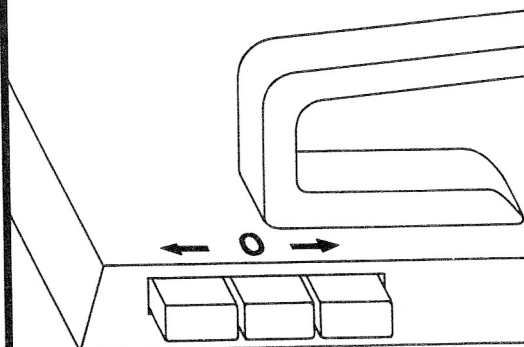


N

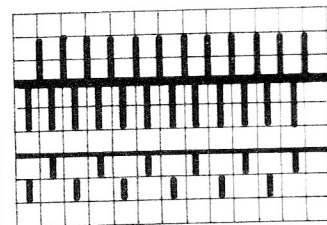
AX ←

col 2

III 46



III 47

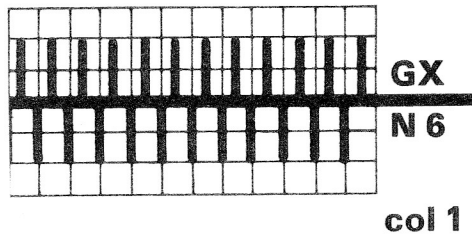


N

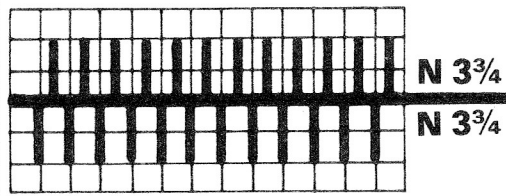
AX ←

col 2

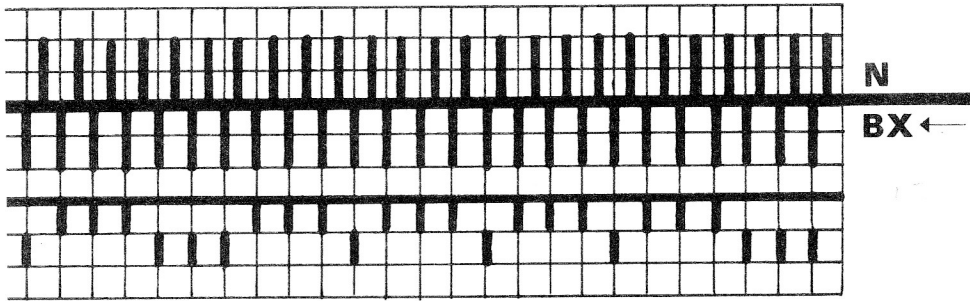
III 48



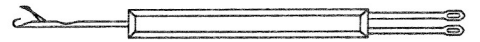
III 49



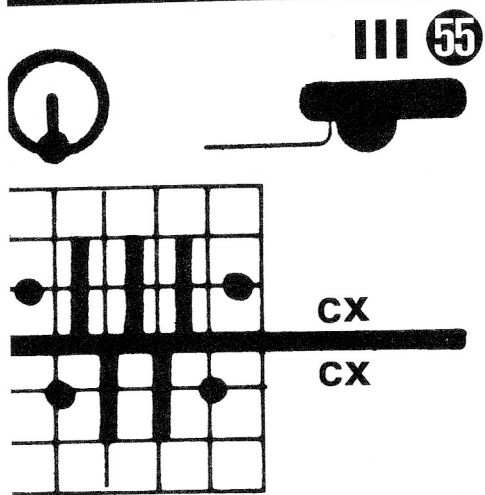
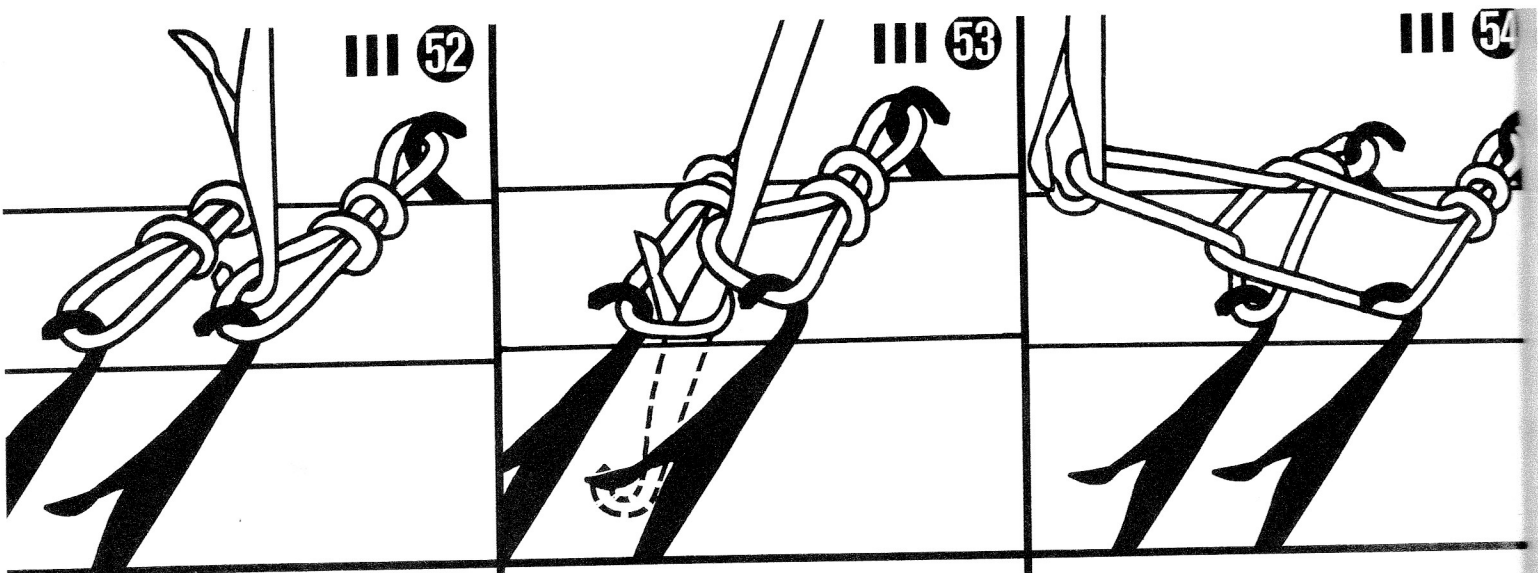
III 50



III 51







MADAG Maschinen- und Apparatebau Dietikon AG CH-8953 Dietikon

33.216.53

Cassetts audio and original manual converted to digital form by KNITTINGFINGERS (Helen Siers).